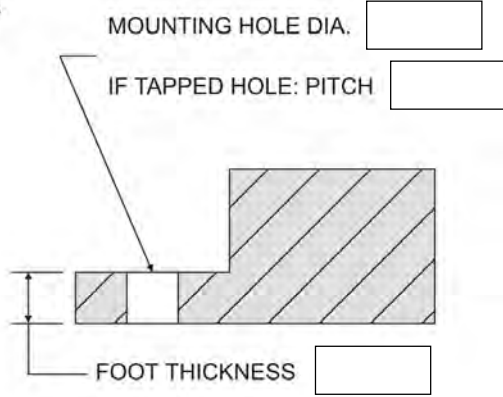


V. CHECK TYPE OF MOUNTING POINT AND LIST APPLICABLE DIMENSIONS

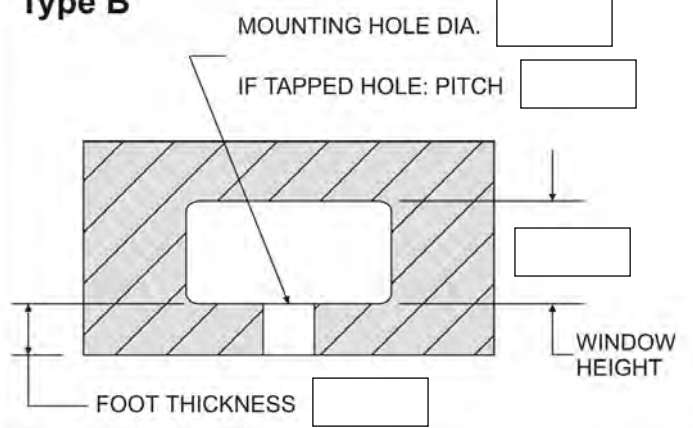
For the following data, please indicate units of measure: English Metric

If blind tapped hole: Mounting Hole Diameter Pitch Depth

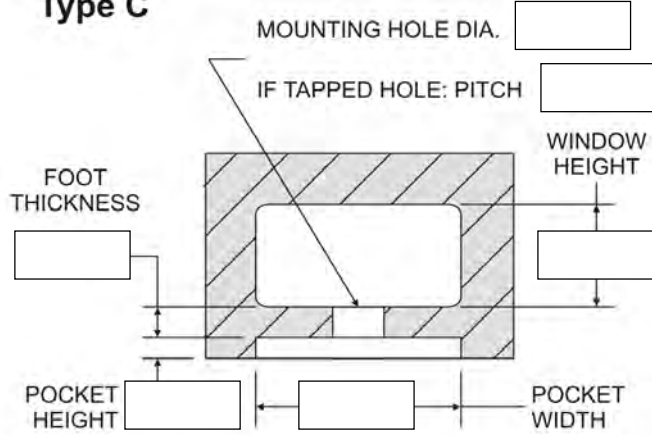
Type A



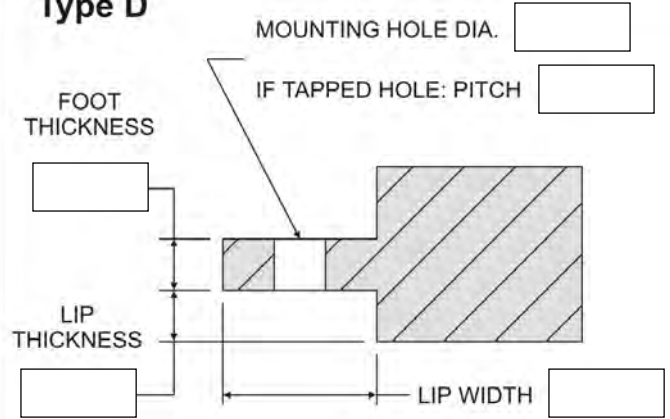
Type B



Type C



Type D



VI. Use the space below for sketches and/or comments on any special considerations.