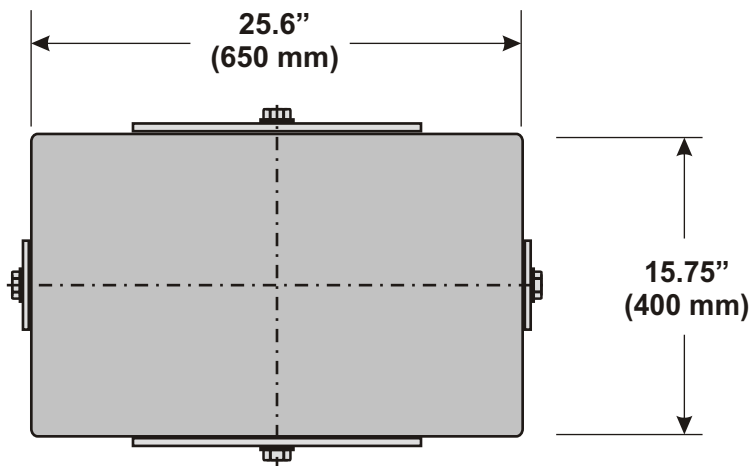
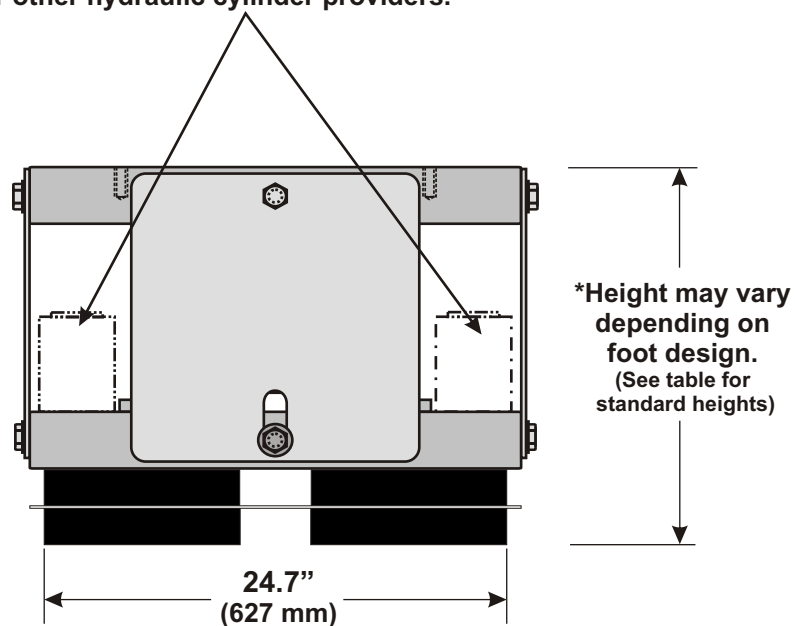


24MXLP & 25MXLP ISOLATION ELEMENT SPECIFICATION SHEET



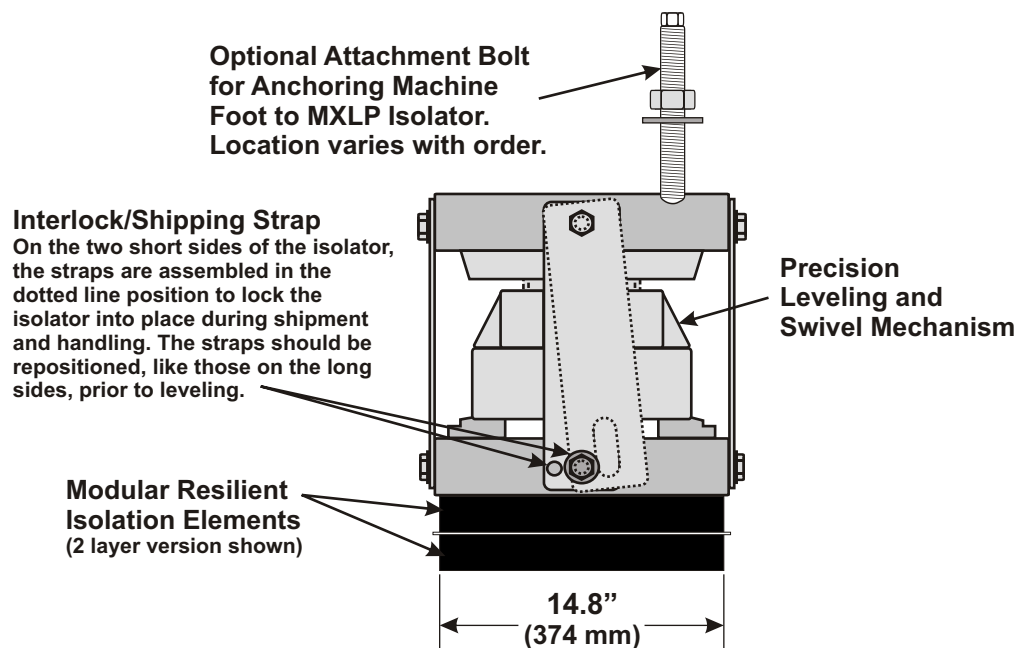
Hydraulic cylinders can be inserted into isolator for precision leveling and alignment of machine. Cylinders are available from Vibro/Dynamics or other hydraulic cylinder providers.



Model Number	Target Installed Loaded Height *		* Loaded Heights ($\pm 0.13"$ 3.3 mm)				Ship Weight	
	inch	mm	Minimum		Maximum		lbs.	kg.
			inch	mm	inch	mm		
24MXLP0801	18.0	457	17.0	432	19.0	483	948	430
24MXLP0802	19.9	505	18.9	480	20.9	531	992	450
24MXLP0803	21.8	554	20.8	528	22.8	579	1058	480
24MXLP0804	23.7	602	22.7	577	24.7	627	1124	510
24MXLP0951	18.0	457	17.0	432	19.0	483	948	430
24MXLP0952	19.9	505	18.9	480	20.9	531	992	450
24MXLP0953	21.8	554	20.8	528	22.8	579	1058	480
24MXLP0954	23.7	602	22.7	577	24.7	627	1124	510
24MXLP1241	17.6	447	16.6	422	18.6	472	926	420
24MXLP1242	19.2	488	18.2	462	20.2	513	992	450
24MXLP1243	20.7	526	19.7	500	21.7	551	1036	470
24MXLP1244	22.3	566	21.3	541	23.3	592	1102	500
25MXLP1441	17.4	442	16.4	417	18.4	467	926	420
25MXLP1442	18.7	475	17.7	450	19.7	500	992	450
25MXLP1443	20.0	508	19.0	483	21.0	533	1036	470
25MXLP1444	21.4	544	20.4	518	22.4	569	1080	490

* Isolators are shipped pre-adjusted at target installed height. Adjustment range is ± 1 -inch (± 25 mm)

Note: Isolator data subject to change without notice.



SS-24/25MXLP 2010.05