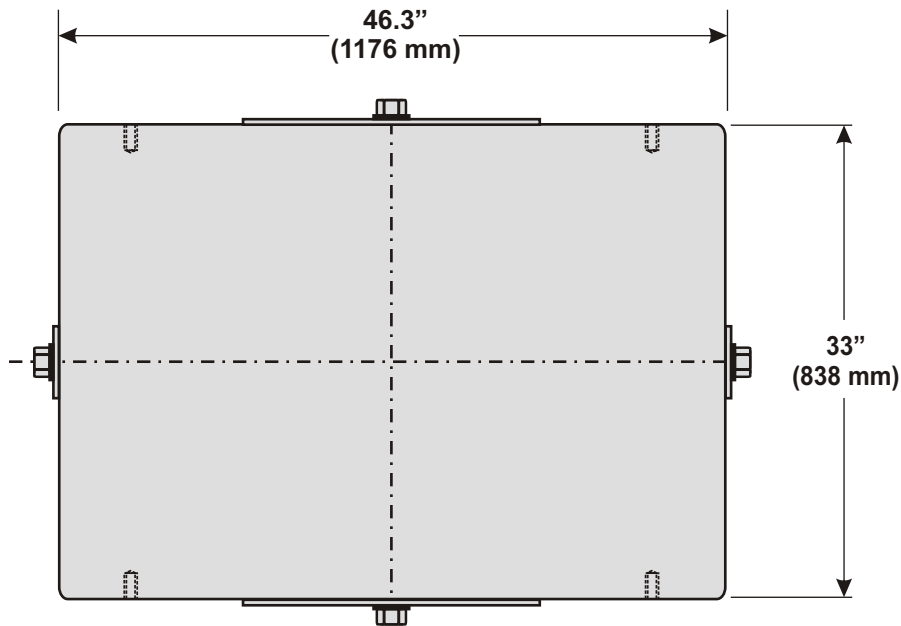


# 48MXLP & 50MXLP ISOLATION ELEMENT SPECIFICATION SHEET

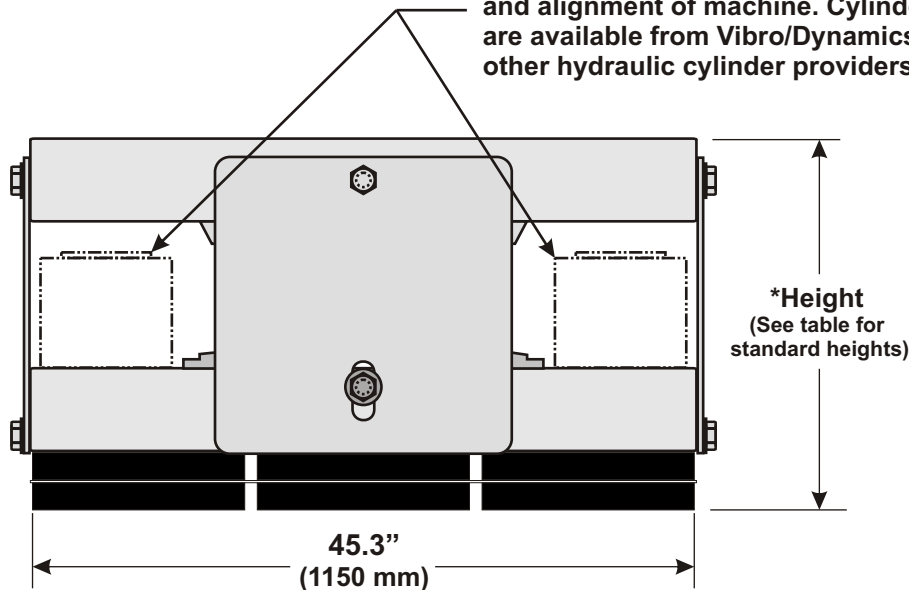


Model Number	Target Installed Loaded Height *		* Loaded Heights (±0.13" 3.3 mm)				Ship Weight	
	inch	mm	Minimum		Maximum		lbs.	kg.
			inch	mm	inch	mm		
48MXLP3601	23.5	597	22.5	572	24.5	622	5057	2294
48MXLP3602	25.4	645	24.4	620	26.4	671	5286	2398
48MXLP3603	27.3	693	26.3	668	28.3	719	5516	2503
48MXLP3604	29.2	742	28.2	716	30.2	767	5745	2607
48MXLP4281	23.5	597	22.5	572	24.5	622	5057	2294
48MXLP4282	25.4	645	24.4	620	26.4	671	5286	2398
48MXLP4283	27.3	693	26.3	668	28.3	719	5516	2503
48MXLP4284	29.2	742	28.2	716	30.2	767	5745	2607
48MXLP5581	23.1	587	22.1	561	24.1	612	5034	2284
48MXLP5582	24.7	627	23.7	602	25.7	653	5241	2378
48MXLP5583	26.2	665	25.2	640	27.2	691	5448	2472
48MXLP5584	27.8	706	26.8	681	28.8	732	5655	2566
50MXLP6481	22.9	582	21.9	556	23.9	607	5021	2278
50MXLP6482	24.2	615	23.2	589	25.2	640	5214	2366
50MXLP6483	25.6	650	24.6	625	26.6	676	5408	2454
50MXLP6484	26.9	683	25.9	658	27.9	709	5601	2541
50MXLP7201	22.5	572	21.5	546	23.5	597	4994	2266
50MXLP7202	23.5	597	22.5	572	24.5	622	5160	2341
50MXLP7203	24.4	620	23.4	594	25.4	645	5327	2417
50MXLP7204	25.4	645	24.4	620	26.4	671	5493	2492

\* Isolators are shipped pre-adjusted at target installed height. Adjustment range is ± 1-inch (± 25 mm)

Note: Isolator data subject to change without notice.

Hydraulic cylinders can be inserted into isolator for precision leveling and alignment of machine. Cylinders are available from Vibro/Dynamics or other hydraulic cylinder providers.

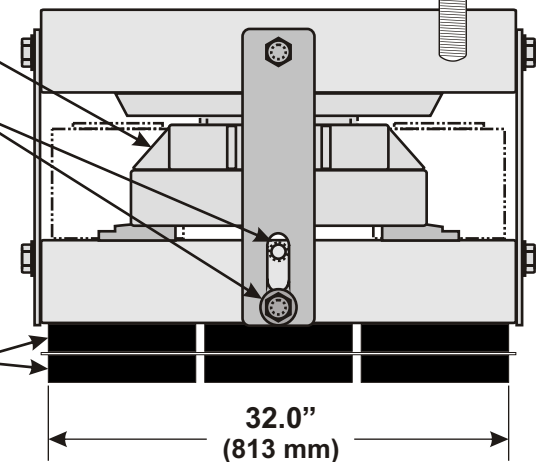


2" x 12" Attachment Bolt for Anchoring Machine Foot to MXLP Isolator. Location varies with order, but must be located within 15" (380mm) of center.

Precision Leveling and Swivel Mechanism

Interlock/Shipping Bolt  
There are two tapped holes in each of the two short sides of the isolator. The isolator is shipped with the bolts in the lower position. They must be removed and put in the upper position prior to making leveling adjustments.

Modular Resilient Isolation Elements (2 layer version shown)



SS-48-50MXLP 2010.05