

7FL MICRO/LEVEL® ISOLATOR SPECIFICATION SHEET

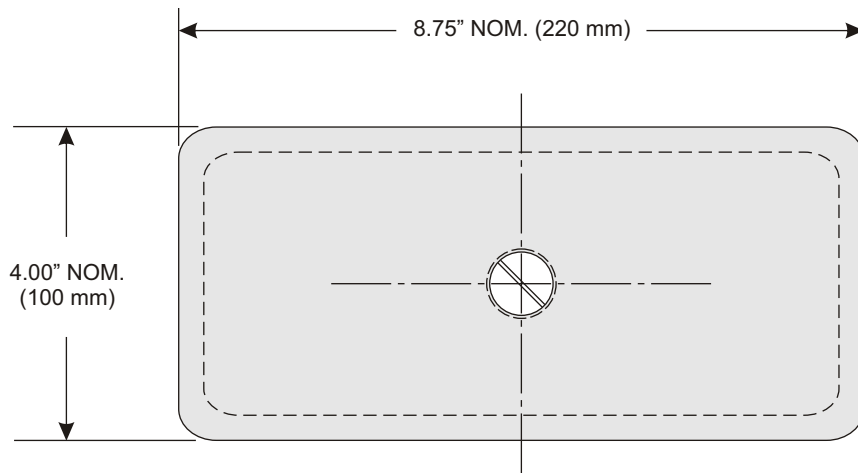


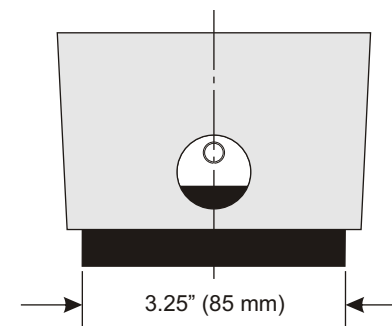
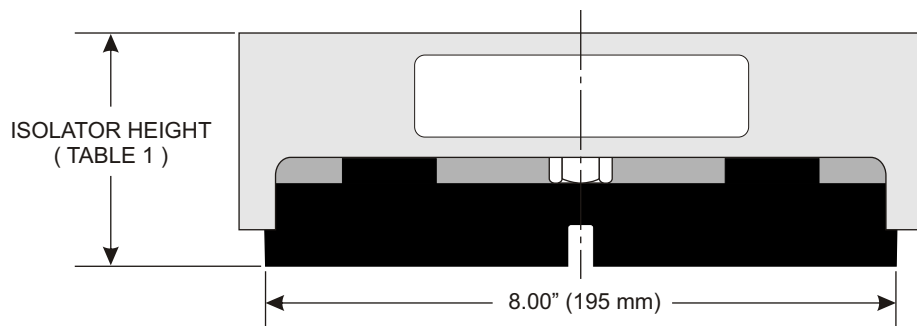
TABLE 1 - Isolator Data

Model Number	Loaded Height ± 0.125		Targeted Installed Height ± 0.125
	Minimum	Adjustable To	
7FL26	3.31"	3.94"	3.625"
7FL50	3.31"	3.94"	3.625"
7FL64	3.31"	3.94"	3.625"
7FL96	3.31"	3.94"	3.625"
7FL120	3.31"	3.94"	3.625"

Note: Isolator data subject to change without notice.

NOTE:

LEVELING ADJUSTMENT ARE MADE BY INSERTING AN OPEN END WRENCH INTO THE SIDE OF ISOLATOR HOUSING. TURN THE LEVELING SCREW CLOCKWISE TO RAISE TOP OF ISOLATOR. THE LEVELING SCREW WILL NOT PROJECT ABOVE THE TOP OF HOUSING AT ANY ADJUSTMENT. THE MAXIMUM ADJUSTMENT IS 5/8". REFER TO BULLETIN M/L-674. "MICRO/LEVEL ISOLATOR INSTALLATION AND LEVELING INSTRUCTIONS"



SS-7FL 10/2002