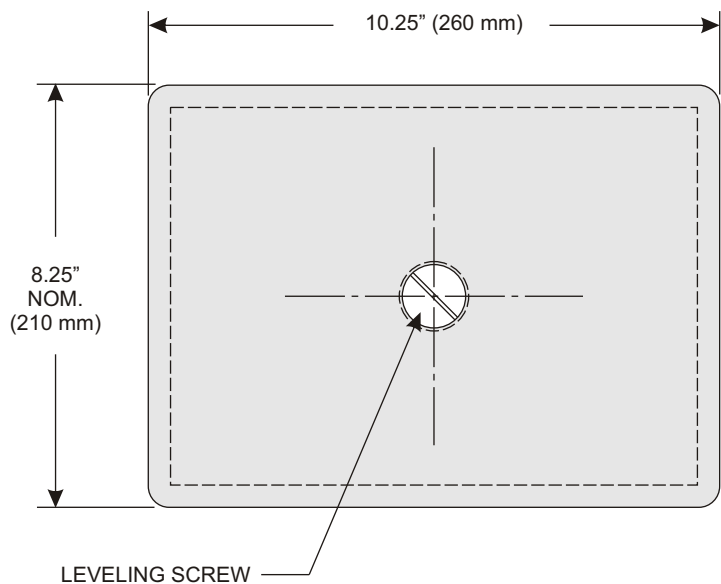


# 9F SERIES MICRO/LEVEL® ISOLATOR SPECIFICATION SHEET



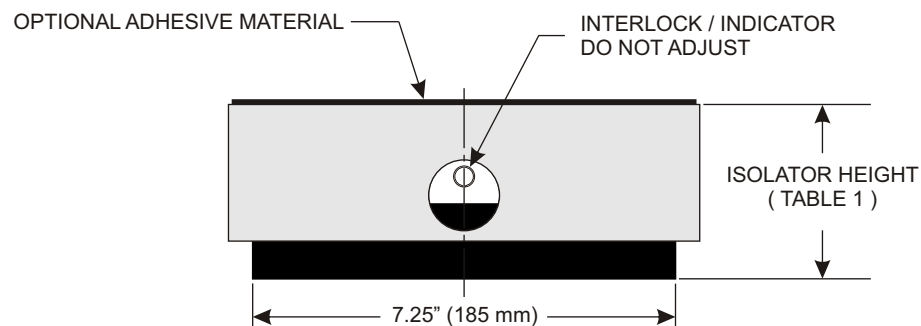
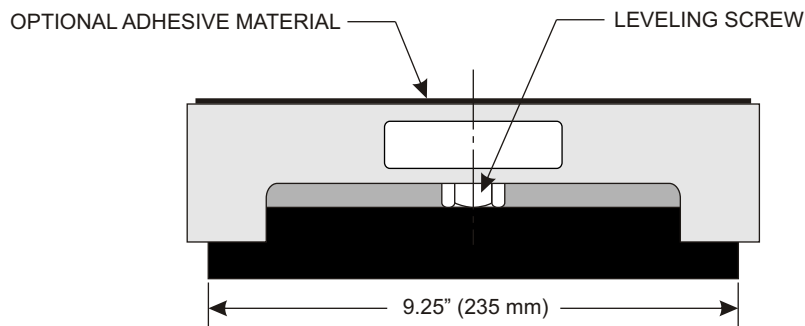
**TABLE 1 - Isolator Data** (Approx. Shipping Wt. 32 lbs./15 Kg.)

| Model Number | Loaded Height $\pm 0.125"$ ( 3.18 mm ) |     |         |     | Targeted Installed Height $\pm 0.125"$ ( 3.18mm ) |     |
|--------------|--|-----|---------|-----|---|-----|
|              | Minimum                                |     | Maximum |     | inch  | mm  |
|              | inch                                   | mm  | inch    | mm  |   |     |
| 9FM580       | 4.13                                   | 105 | 4.76    | 121 | 4.45  | 113 |
| 9FM680       | 4.13                                   | 105 | 4.76    | 121 | 4.45  | 113 |
| 9FM780       | 4.13                                   | 105 | 4.76    | 121 | 4.45  | 113 |
| 9FM880       | 4.13                                   | 105 | 4.76    | 121 | 4.45  | 113 |
| 9FL180       | 3.50                                   | 89  | 4.13    | 105 | 3.82  | 97  |
| 9FL250       | 3.50                                   | 89  | 4.13    | 105 | 3.82  | 97  |
| 9FL350       | 3.50                                   | 89  | 4.13    | 105 | 3.82  | 97  |
| 9FK225       | 3.38                                   | 86  | 4.01    | 102 | 3.70  | 94  |
| 9FK275       | 3.38                                   | 86  | 4.01    | 102 | 3.70  | 94  |
| 9FK375       | 3.38                                   | 86  | 4.01    | 102 | 3.70  | 94  |
| 9FK500       | 3.38                                   | 86  | 4.01    | 102 | 3.70  | 94  |

**Note: Isolator data subject to change without notice.**

**NOTE:**

LEVELING ADJUSTMENT MADE BY INSERTING OPEN END WRENCH INTO SIDE OF ISOLATOR HOUSING TO TURN LEVELING SCREW. TURN SCREW CLOCKWISE TO RAISE THE TOP OF THE ISOLATOR. LEVELING SCREW WILL NOT PROJECT ABOVE TOP OF HOUSING AT ANY ADJUSTMENT. MAXIMUM ADJUSTMENT 5/8".  
 AS A OPTION, SOME VIBRO/DYNAMIC "F" SERIES ISOLATORS ARE SUPPLIED WITH AN ADHESIVE MATERIAL ON THE TOP SURFACE. PEEL OFF THE PLASTIC SHEET BEFORE LOWERING MACHINE FOOT ONTO THE ISOLATOR.  
 OPTIONAL TAPPED HOLE(S) CAN BE ADDED TO THE TOP SURFACE OF THE ISOLATOR HOUSING IF A SECURING BOLT IS DESIRED.



SS-9F Series 2007.11