

10 SERIES "H" MODEL MICRO/LEVEL® ISOLATOR SPECIFICATION SHEET

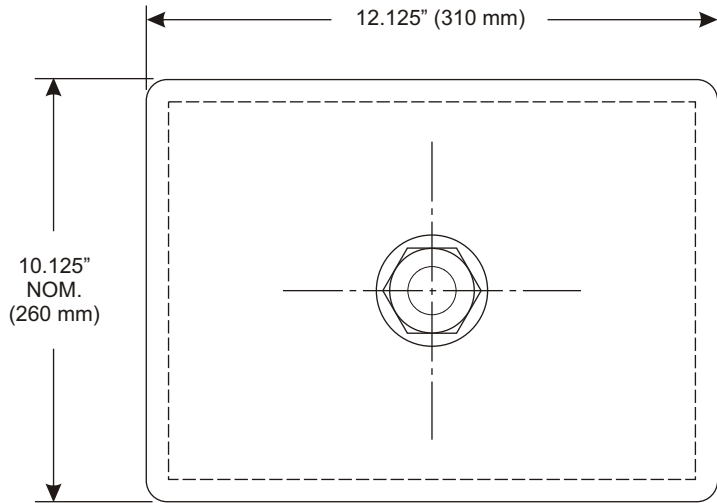
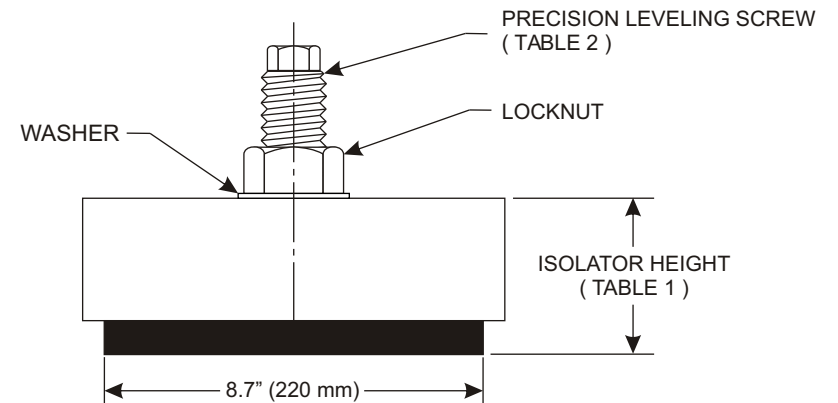
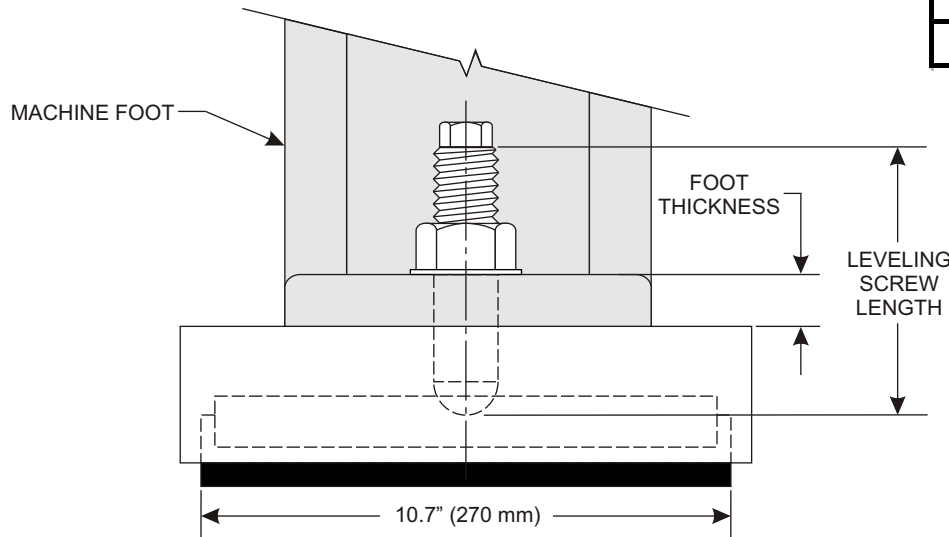


TABLE 1 - Isolator Data						
Model Number	Load Height $\pm 0.125"$ (3.18 mm)				Targeted Installed Height $\pm 0.125"$ (3.18 mm)	
	Minimum		Maximum			
	inch	mm	inch	mm	inch	mm
10M550H	4.00	102	4.75	121	4.38	112
10M800H	4.00	102	4.75	121	4.38	112
10M1200H	4.00	102	4.75	121	4.38	112
10KM1200H	4.25	108	5.00	127	4.50	114
10L200H	3.38	86	4.13	105	3.75	96
10L450H	3.38	86	4.13	105	3.75	96
10L600H	3.38	86	4.13	105	3.75	96
10L900H	3.38	86	4.13	105	3.75	96
10K650H	3.25	83	4.00	102	3.63	93
10K950H	3.25	83	4.00	102	3.63	93

Note: Isolator data subject to change without notice.

TABLE 2 - Leveling Screw Data				
Screw Model	Diameter	Thread Length	Pitch	Good for Foot Thickness up to:
1.25M	1.25"		12	



SS-10H 2010.10