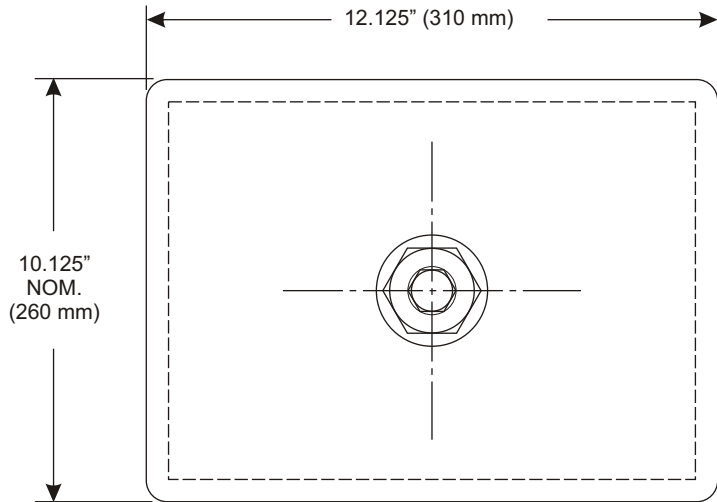


# 10 SERIES MICRO/LEVEL® ISOLATOR SPECIFICATION SHEET



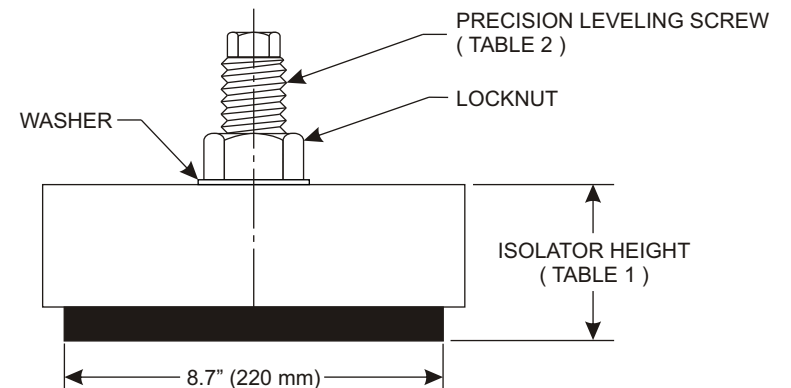
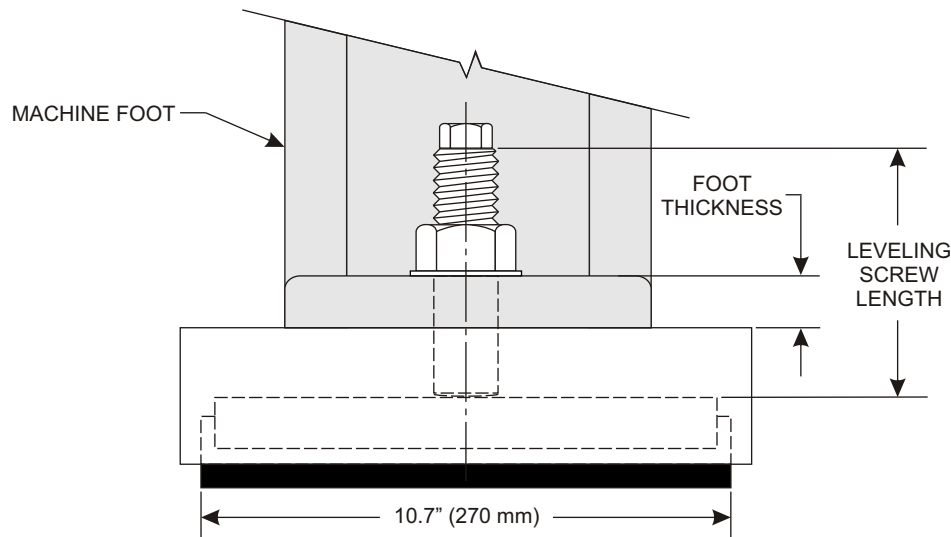
**TABLE 1 - Isolator Data** (Approx. Shipping Wt. 56 lbs./26 Kg.)

Model Number	Loaded Height $\pm 0.125"$ ( 3.18 mm )				Targeted Installed Height $\pm 0.125"$ ( 3.18mm )	
	Minimum		Maximum		inch	mm
	inch	mm	inch	mm		
10M550	4.0	102	4.75	121	4.38	112
10M800	4.0	102	4.75	121	4.38	112
10M1200	4.0	102	4.75	121	4.38	112
10L200	3.38	86	4.13	105	3.75	96
10L300	3.38	86	4.13	105	3.75	96
10L450	3.38	86	4.13	105	3.75	96
10L600	3.38	86	4.13	105	3.75	96
10L900	3.38	86	4.13	105	3.75	96
10LK900	3.63	93	4.38	112	4.00	102
10K650	3.25	83	4.00	102	3.63	93
10K950	3.25	83	4.00	102	3.63	93

**Note: Isolator data subject to change without notice.**

**TABLE 2 - Leveling Screw Data**

Screw Model	Diameter	Thread Length	Pitch	Good for Foot Thickness up to:
.75M	.75"		10	
1M	1.00"		14	
1.125M	1.125"		12	
1.25M	1.25"		12	
1.5M	1.5"		12	



SS-10 Series 2007.11