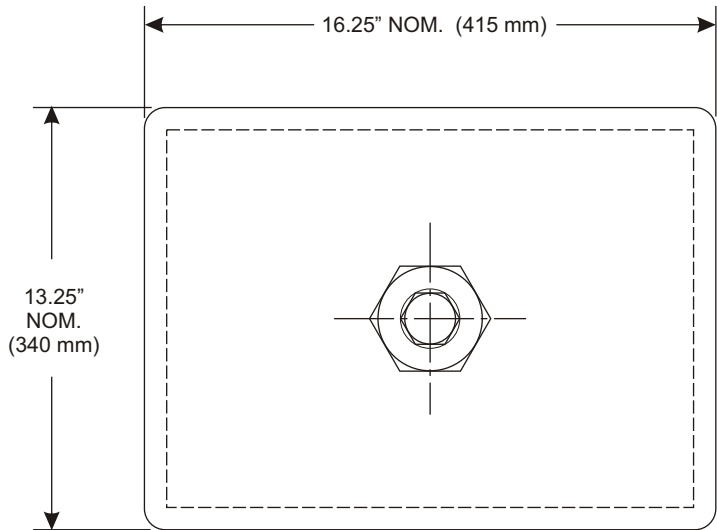


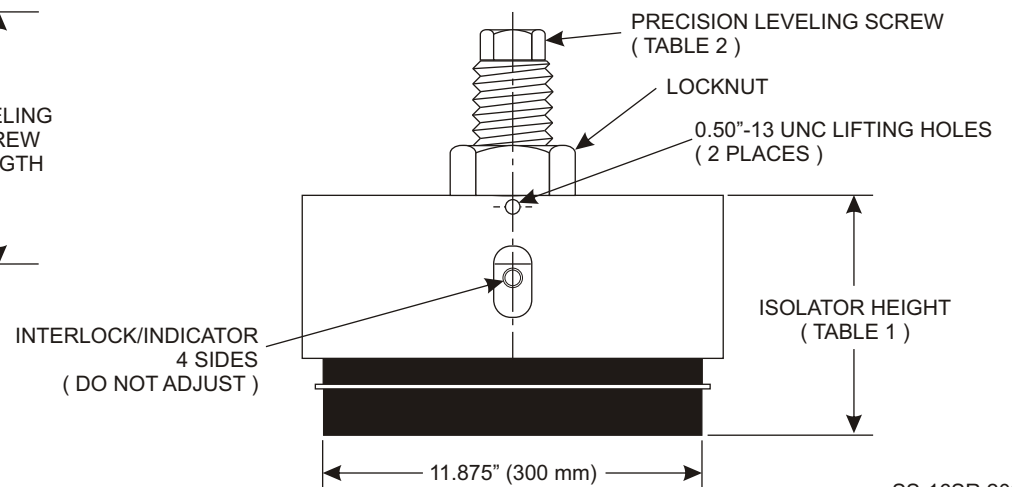
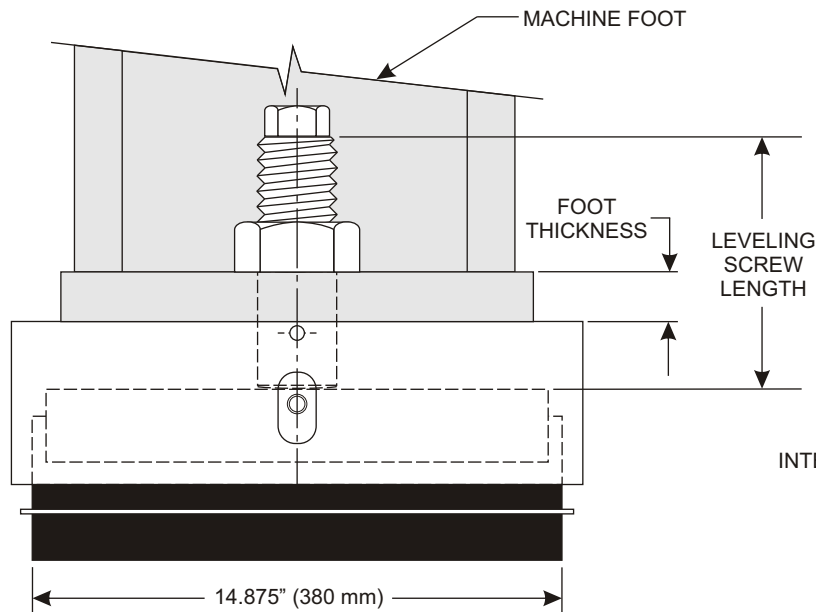
16SR-2 MICRO/LEVEL® ISOLATOR SPECIFICATION SHEET



| TABLE ONE - ISOLATOR DATA | | | | | | |
|---------------------------|-----------------------------------|-----|---------|-----|----------------------------|-----|
| Model | Loaded Height ± 0.13 (3.3 mm) | | | | Target Installation Height | |
| | Minimum | | Maximum | | | |
| | inch | mm | inch | mm | inch | mm |
| 16SRK25002 | 5.7 | 144 | 6.7 | 170 | 6.2 | 157 |
| 16SRK18002 | 5.7 | 144 | 6.7 | 170 | 6.2 | 157 |
| 16SRL20002 | 5.8 | 147 | 6.8 | 172 | 6.3 | 160 |
| 16SRL14002 | 5.8 | 147 | 6.8 | 172 | 6.3 | 160 |
| 16SRL10002 | 5.8 | 147 | 6.8 | 172 | 6.3 | 160 |
| 16SRL7002 | 5.8 | 147 | 6.8 | 172 | 6.3 | 160 |
| 16SRM30002 | 7.3 | 186 | 8.3 | 212 | 7.8 | 199 |
| 16SRM21002 | 7.3 | 186 | 8.3 | 212 | 7.8 | 199 |
| 16SRM15002 | 7.3 | 186 | 8.3 | 212 | 7.8 | 199 |

Note: Isolator data subject to change without notice.

| TABLE 2 - Leveling Screw Data | | | | |
|-------------------------------|----------|---------------|-------|--------------------------------|
| Screw Model | Diameter | Thread Length | Pitch | Good for Foot Thickness up to: |
| 1.125M | 1.125" | | 12 | |
| 1.25M | 1.25" | | 12 | |
| 1.5M | 1.50" | | 12 | |
| 1.75M | 1.75" | | 12 | |
| 2M | 2.00" | | 12 | |
| 2.25M | 2.00" | | 12 | |



SS-16SR 2007.02