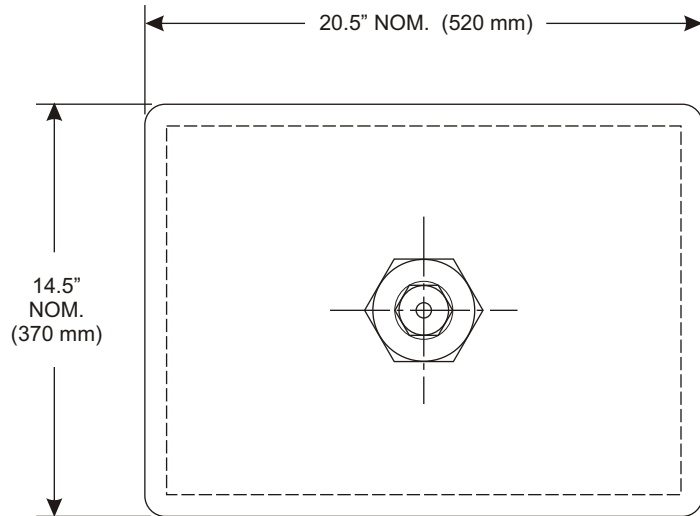


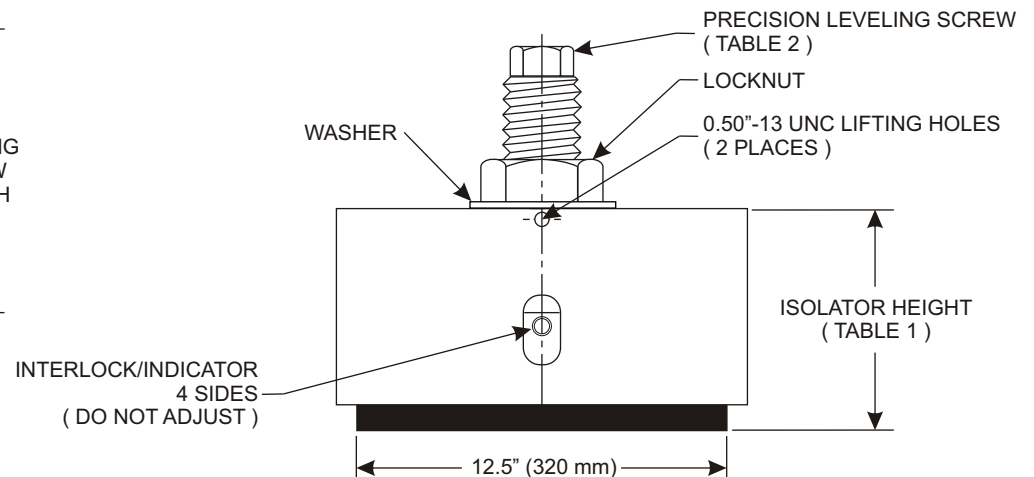
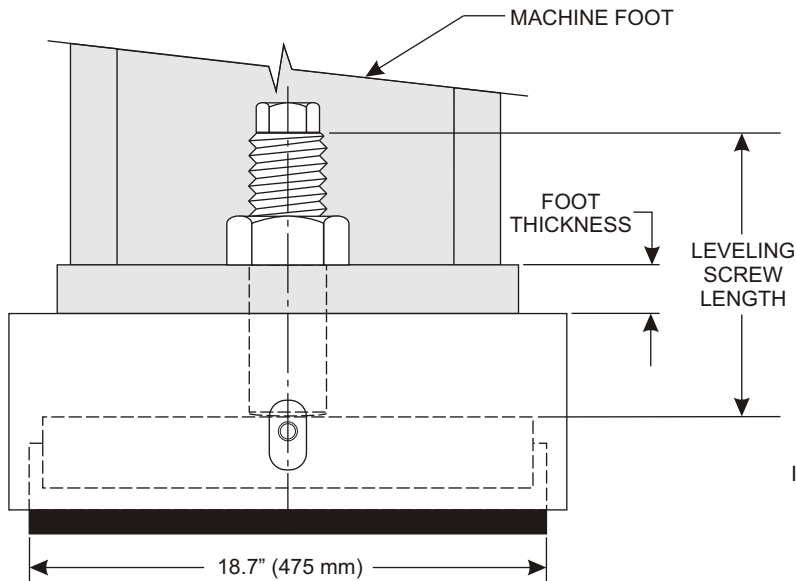
# BFM 20 SERIES MICRO/LEVEL® ISOLATOR SPECIFICATION SHEET



Model Number	Loaded Height $\pm 0.125"$ (3.18 mm)				Targeted Installed Height $\pm 0.125"$ (3.18mm)		Approximate Shipping Wt.	
	Minimum		Maximum				lbs.	Kg.
	inch	mm	inch	mm	inch	mm		
BFM1230/34	7.0	178	8.00	204	7.50	191	350	159
BFM1230/44	7.0	178	8.00	204	7.50	191		
BFM1230/54	7.0	178	8.00	204	7.50	191		
BFM1150/42	6.38	163	7.38	188	6.88	175	340	155
BFM1150/52	6.38	163	7.38	188	6.88	175		
BFM1150/57	6.38	163	7.38	188	6.88	175		
BFM1150/62	6.38	163	7.38	188	6.88	175		
BFM1340/40	6.0	153	7.00	178	6.50	166	335	152
BFM1340/50	6.0	153	7.00	178	6.50	166		
BFM1340/60	6.0	153	7.00	178	6.50	166		
BFM1340/70	6.0	153	7.00	178	6.50	166		

Note: Isolator data subject to change without notice.

Screw Model	Diameter	Thread Length	Pitch	Good for Foot Thickness up to:
1.5M	1.5-12 UN		12	
1.75M	1.75-12 UN		12	
2M	2-12 UN		12	
2.25M	2.25-12 UN		12	
2.5M	2.5-12 UN		12	
2.75M	2.5-12 UN		12	



SS-BFM 20 Series 2008.01