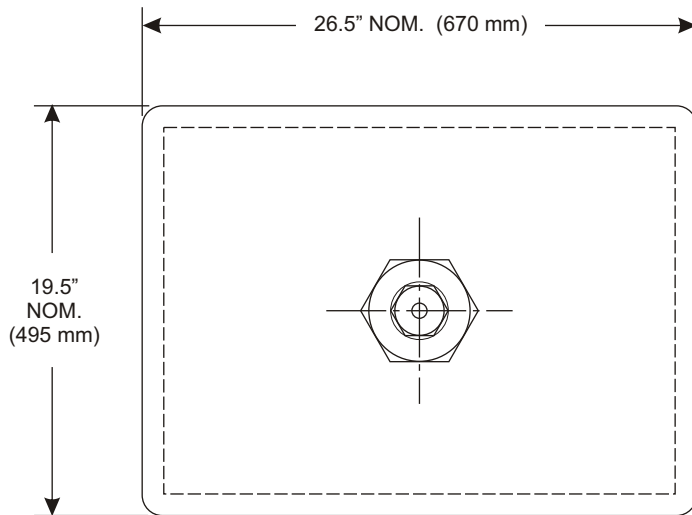


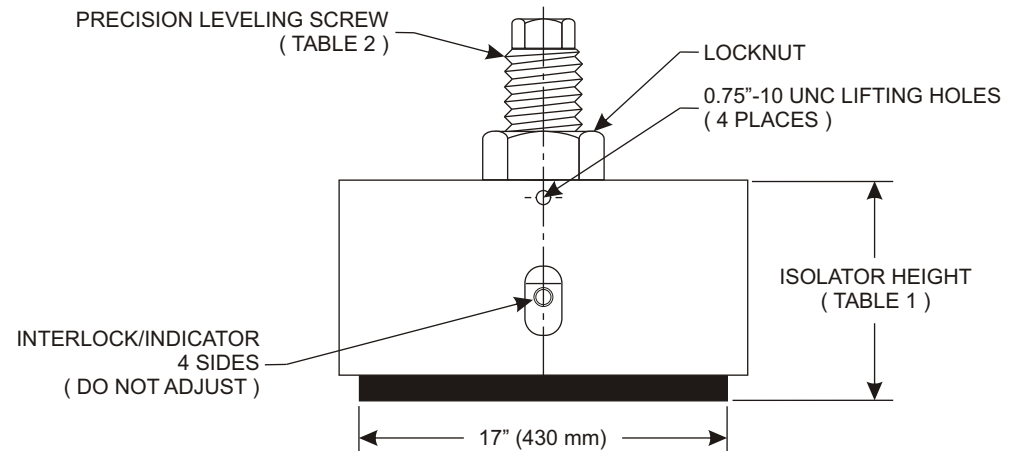
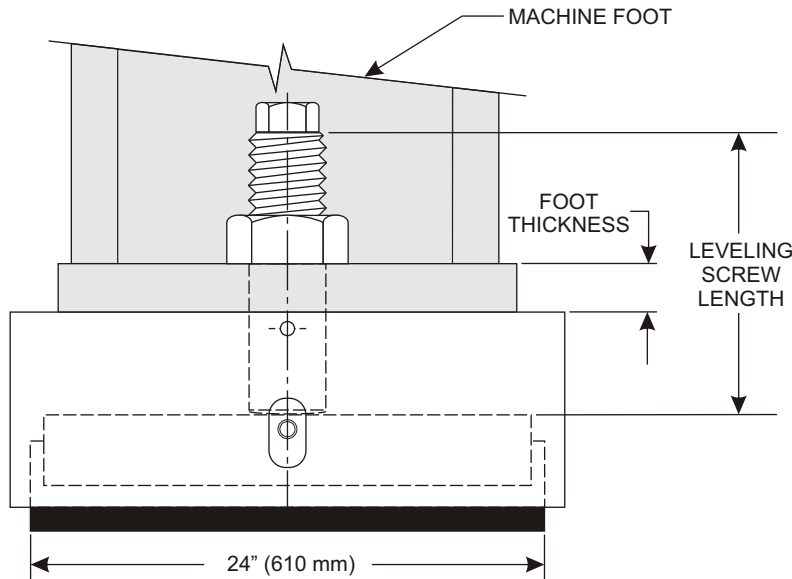
BFM 27 SERIES MICRO/LEVEL® ISOLATOR SPECIFICATION SHEET



Model Number	Loaded Height $\pm 0.125"$ (3.18 mm)				Targeted Installed Height $\pm 0.125"$ (3.18 mm)		Approximate Shipping Wt.	
	Minimum		Maximum		inch	mm	lbs.	kg.
	inch	mm	inch	mm				
BFM1265/60	11.3	286	12.3	312	11.8	299	1015	461
BFM1265/76	11.3	286	12.3	312	11.8	299		
BFM1265/90	11.3	286	12.3	312	11.8	299		
BFM1265/100	11.3	286	12.3	312	11.8	299		
BFM1305/110	10.8	274	11.8	299	11.3	286	1000	454
BFM1305/135	10.8	274	11.8	299	11.3	286		
BFM1305/180	10.8	274	11.8	299	11.3	286		

Screw Model	Diameter	Thread Length	Pitch	Good for Foot Thickness up to:
2.5M	2.50"		12	
2.75M	2.75"		12	
3M	3.00"		12	
3.5M*	3.50"		12	
4M*	4.00"		12	

* Spanner nuts are supplied with this diameter leveling screw in place of hex nuts.



SS-BFM 27 Series 2008.10