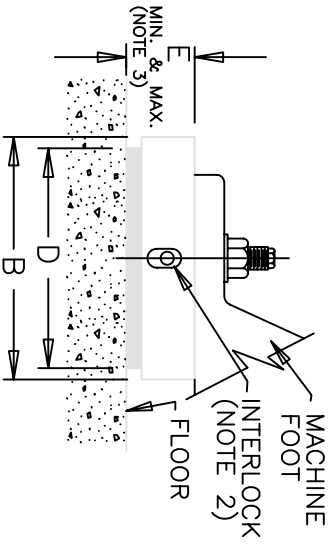
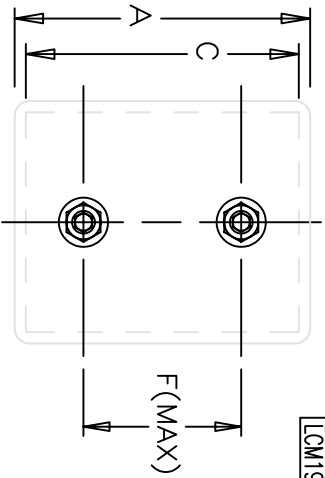


ISOLATOR SERIES	DIMENSION LETTER										F MAX/SCREW DIAMETER							
	A	B	C	D	E MIN	E MAX	3/4	1	1 1/8	1 1/4	1 1/2	1 3/4	2	2 1/4	2 1/2	2 3/4	3	
210K	12 1/8	10 1/8	10 11/16	8 11/16	3 1/4	4	9 1/4	9	8 7/8	8 3/4								
210KE	12 1/8	10 1/8	10 11/16	8 11/16	3 3/8	4 1/8	9 1/4	9	8 7/8	8 3/4								
210L	12 1/8	10 1/8	10 11/16	8 11/16	3 3/8	4 1/8	9 1/4	9	8 7/8	8 3/4								
210M	12 1/8	10 1/8	10 11/16	8 11/16	4	4 3/4	9 1/4	9	8 7/8	8 3/4								
210ME	12 1/8	10 1/8	10 11/16	8 11/16	4	4 3/4	9 1/4	9	8 7/8	8 3/4								
216K	16 1/4	13 1/4	14 7/8	11 7/8	5	6		12	11 7/8	11 3/4	11 1/2	11 1/4						
216KE	16 1/4	13 1/4	14 7/8	11 7/8	5	6		12	11 7/8	11 3/4	11 1/2	11 1/4						
216L	16 1/4	13 1/4	14 7/8	11 7/8	5	6		12	11 7/8	11 3/4	11 1/2	11 1/4						
216LE	16 1/4	13 1/4	14 7/8	11 7/8	5	6		12	11 7/8	11 3/4	11 1/2	11 1/4						
216ME	16 1/4	13 1/4	14 7/8	11 7/8	5 3/4	6 3/4		12	11 7/8	11 3/4	11 1/2	11 1/4						
BFM1415	20 1/2	14 1/2	18 1/2	12 1/2	6	7												
LCM1415	20 1/2	14 1/2	18 1/2	12 1/2	6	7												
BFM1235	20 1/2	14 1/2	18 1/2	12 1/2	6 3/8	7 3/8												
LCM1235	20 1/2	14 1/2	18 1/2	12 1/2	6 3/8	7 3/8												
BFM1417	20 1/2	14 1/2	18 1/2	12 1/2	7	8												
LCM1417	20 1/2	14 1/2	18 1/2	12 1/2	7	8												
BFM1975	26 1/2	19 1/2	24	17	11 1/8	12 1/8												
LCM1975	26 1/2	19 1/2	24	17	11 1/8	12 1/8												



NOTES:  
 1) LEVELING SCREW DIAMETER AND LENGTH DEPEND ON MOUNTING HOLE DIAMETER AND FOOT THICKNESS.  
 2) 216 AND BFM SERIES ARE FURNISHED WITH INTERLOCKS.  
 3) 210 THRU 216 SERIES, DIMENSION E IS THE "UNLOADED" ISOLATOR HEIGHT. + OR - 1/16"  
 BFM, LCM SERIES, DIMENSION E IS THE AVERAGE LOADED HEIGHT + OR - 1/8"  
 ISOLATOR HEIGHTS ARE ADJUSTABLE FOR LEVELING PURPOSES.

**VIBRO/DYNAMICS CORPORATION**  
 MICRO/LEVEL ISOLATOR DIMENSIONS  
 SERIES 210,216,BFM1235,1415,1417,1975  
 DATE 11/25/74 DRN BY J. BASTL DRAWING NO  
 REVISED 4/25/91 APPRD. 11447 L