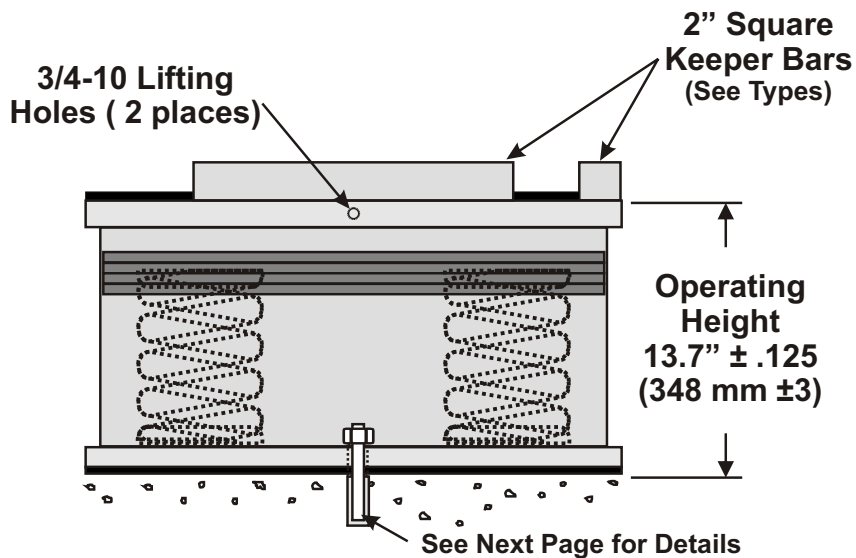
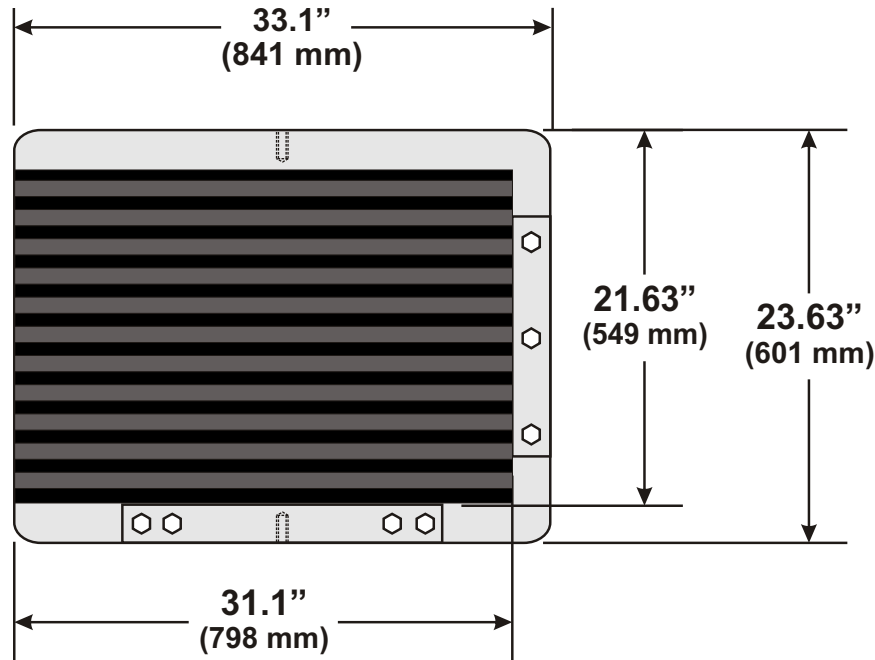
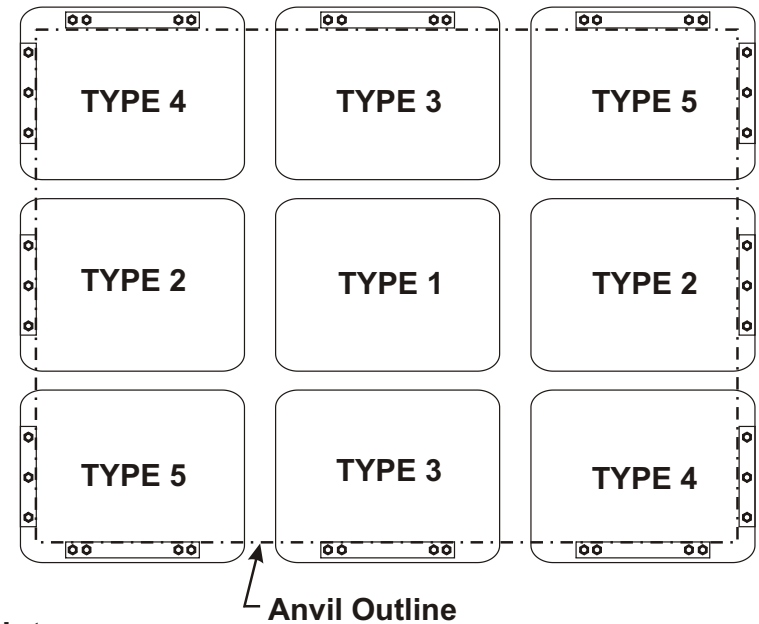


# FSX20-184 FORGING SPRING ISOLATOR SPECIFICATION SHEET

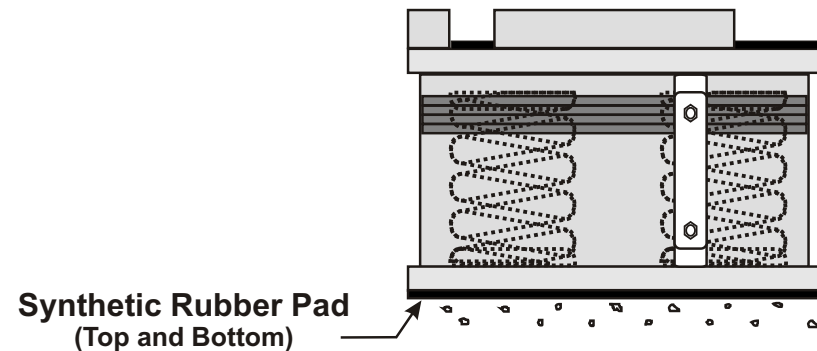


## KEEPER BAR TYPE ARRANGEMENTS



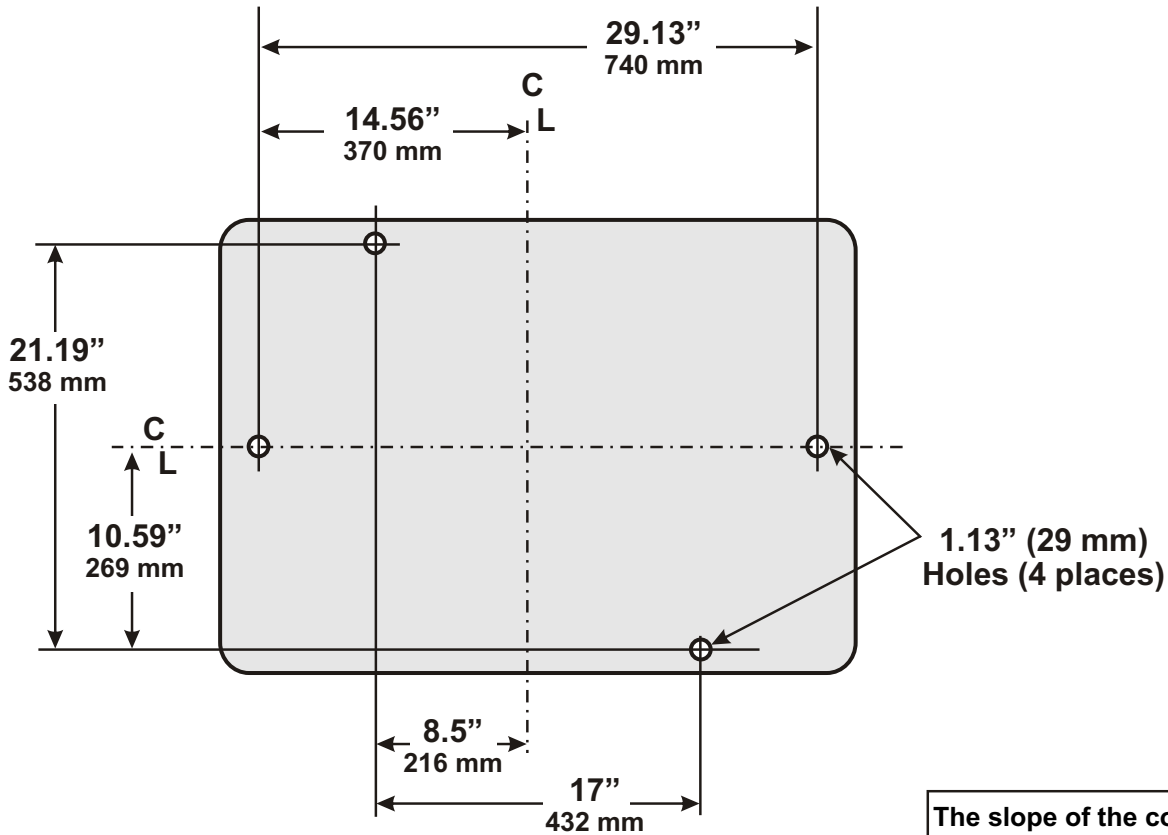
### Notes:

1. Isolator Type is indicated by a suffix added to the Model Number. For example, FSX20-184-4.5S-T1 indicates a Type 1 Keeper Bar Arrangement.
2. The Surface that the Isolator sets upon must not be Sloped more than 5.8 mm/m.



SS-FSX20 2010.07

# Anchoring Locations



The slope of the concrete surface under the isolator must *not* exceed 0.07 inches/foot (5.8mm/meter) and must be flat within 0.032 inches/foot (2.7mm/meter).

Uneven loading of the coil springs occurs when the isolator is tilted, or twisted, causing excessive stress.

Self-leveling grout or a steel plate covering the pit bottom is recommended if supporting surface exceeding the tolerances shown above.

