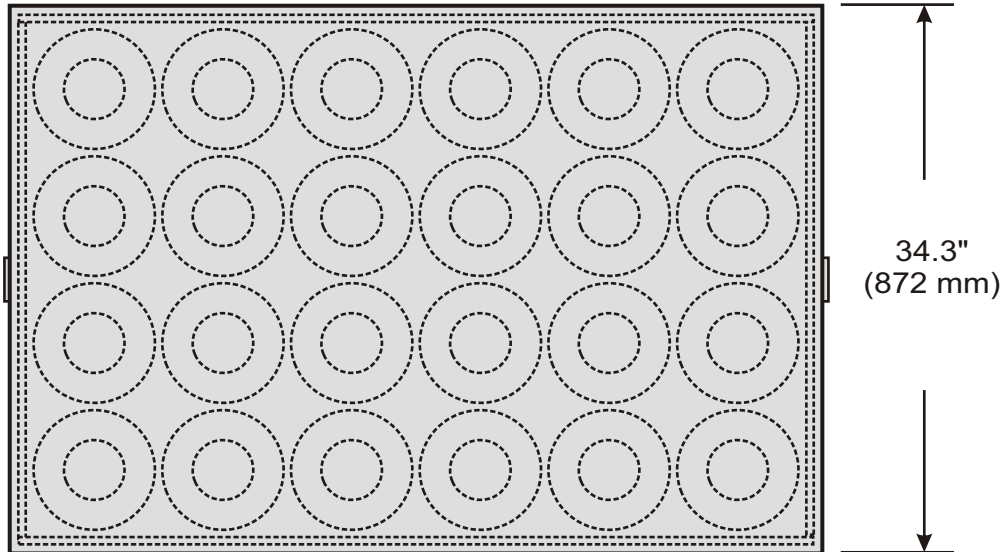


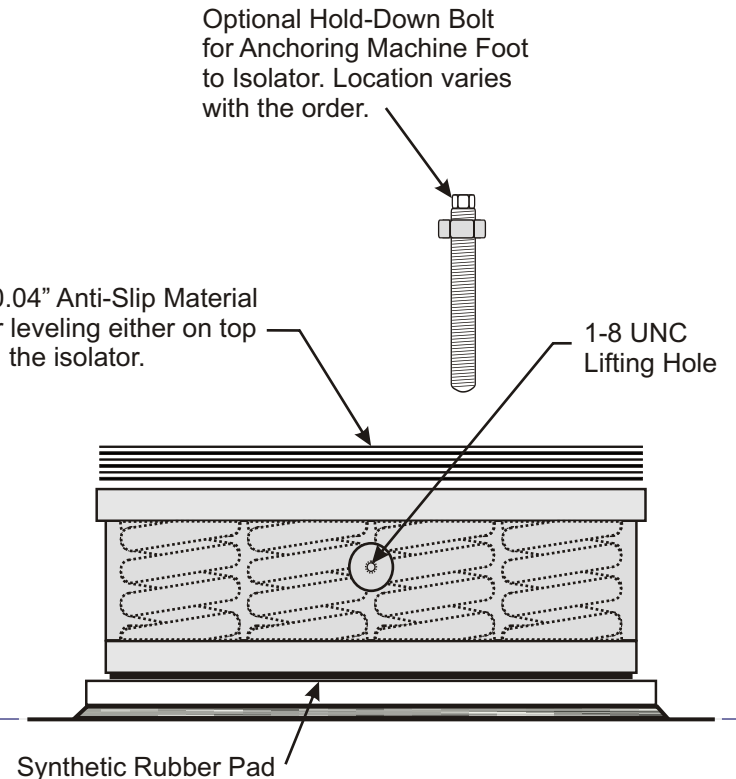
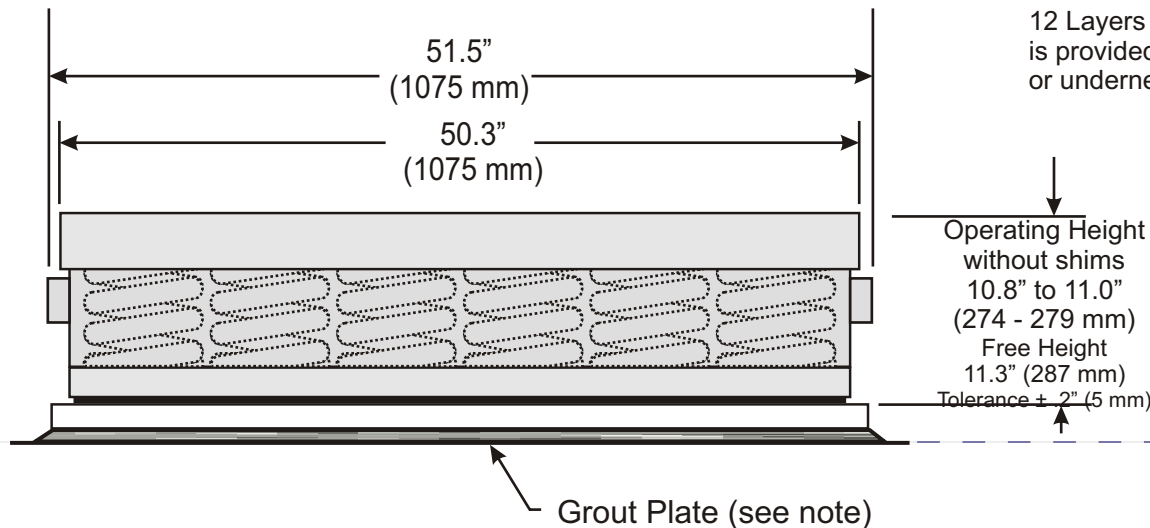
# SVXN6124 HY/TUNED™ SPRING ISOLATOR SPECIFICATION SHEET



Isolator Model No.	Max. Load		Estimate Weight	
	lbs.	KN	lbs.	Kg
SVXN6124-15-2424	675,650	3006		
SVXN6124-15-2412	635,900	2829		
SVXN6124-15-2400	596,160	2652		

**NOTE: Isolator data subject to change without notice.**

**NOTE:** The surface directly under the Spring Mount must not be sloped more than 0.03 inches/foot (2,2 mm/M) and the foundation flatness must be within  $\pm 0.03"$  ( $\pm 0,8$  mm). Grout plates are recommended if specifications cannot be met. Grout plates can be supplied by Vibro/Dynamics.



SS-SVXN6124 2011.02