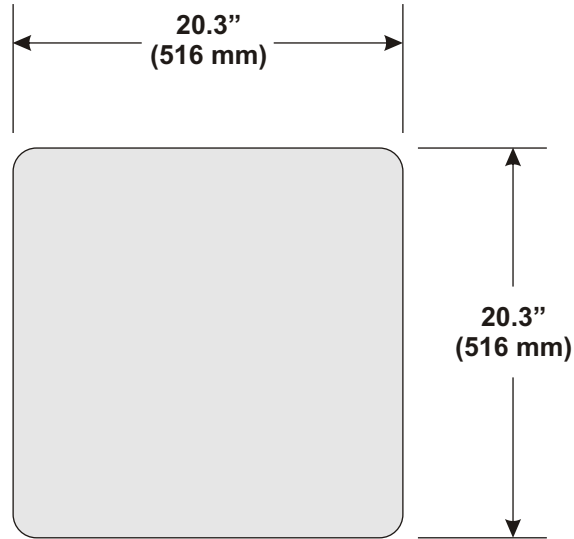
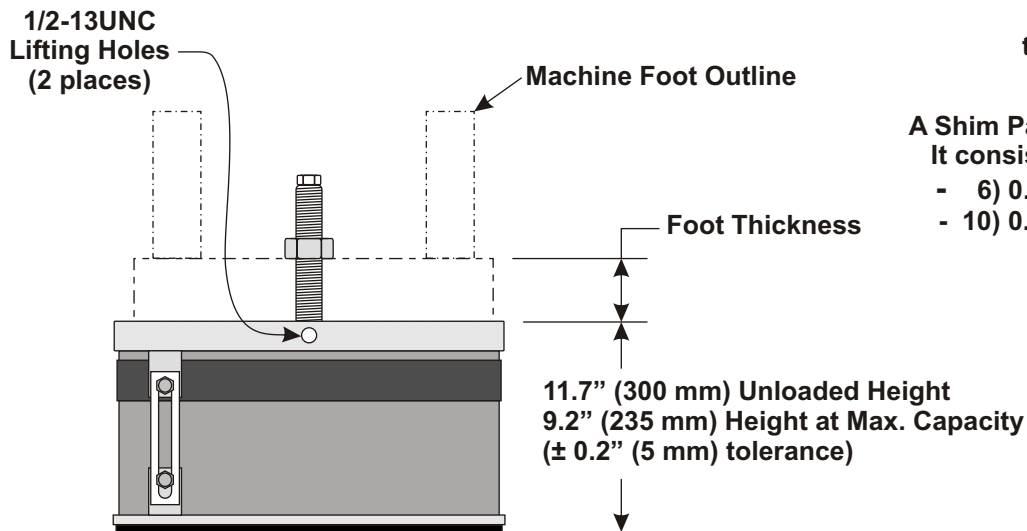


VSX2309 HY/SPEED™ SPRING ISOLATOR SPECIFICATION SHEET



Vibro/Dynamics Hy/Speed™ Isolator Data				
Isolator Model	Maximum Load		Isolator Weight	
	lbs.	kN	lbs.	Kg.
VSX2309-5-90	52000	230	485	220
VSX2309-5-81	49000	217	485	220
VSX2309-5-80	46000	205	470	215
VSX2309-5-71	43000	192	465	210
VSX2309-5-70	40000	179	455	205
VSX2309-5-61	37000	166	450	205
VSX2309-5-60	35000	153	440	200
VSX2309-5-51	32000	141	435	200
VSX2309-5-50	29000	128	425	190
VSX2309-5-41	26000	115	420	190
VSX2309-5-40	23000	102	410	185
VSX2309-5-22	17300	77	400	185
VSX2309-5-04	11500	51	395	180

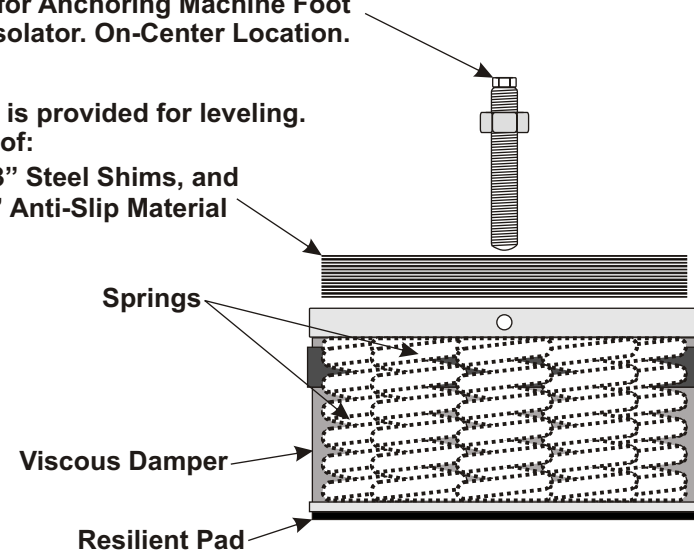
Note: Isolator data subject to change without notice.



Optional Hold-Down Bolt for Anchoring Machine Foot to Isolator. On-Center Location.

A Shim Pack is provided for leveling. It consists of:

- 6) 0.063" Steel Shims, and
- 10) 0.04" Anti-Slip Material



SS-VSX2309 2009.01