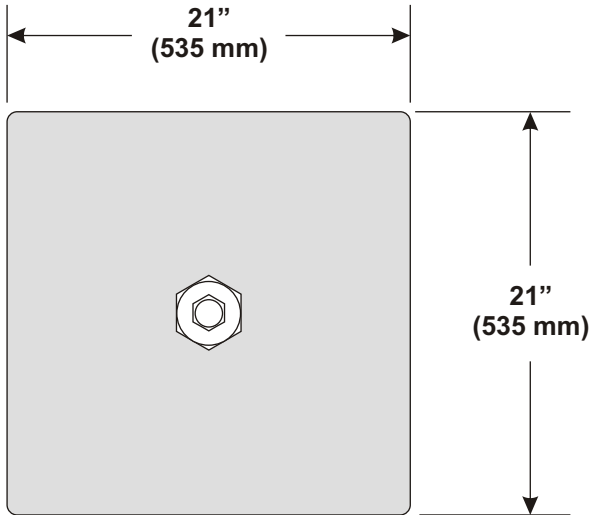


# VSXL2409 HY/SPEED™ SPRING ISOLATOR SPECIFICATION SHEET



## Vibro/Dynamics Hy/Speed™ Isolator Data

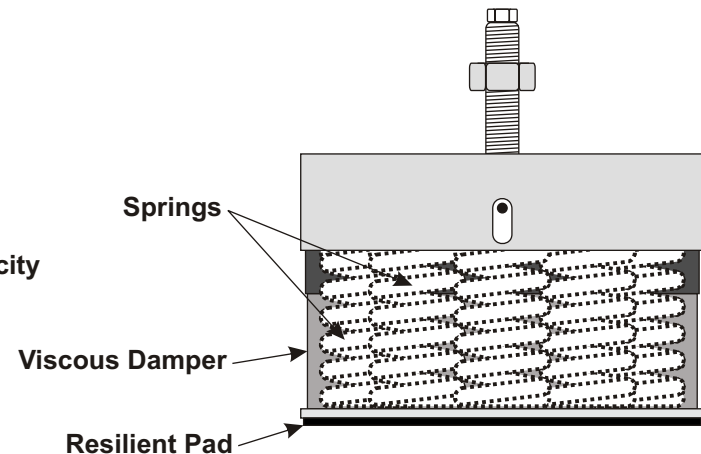
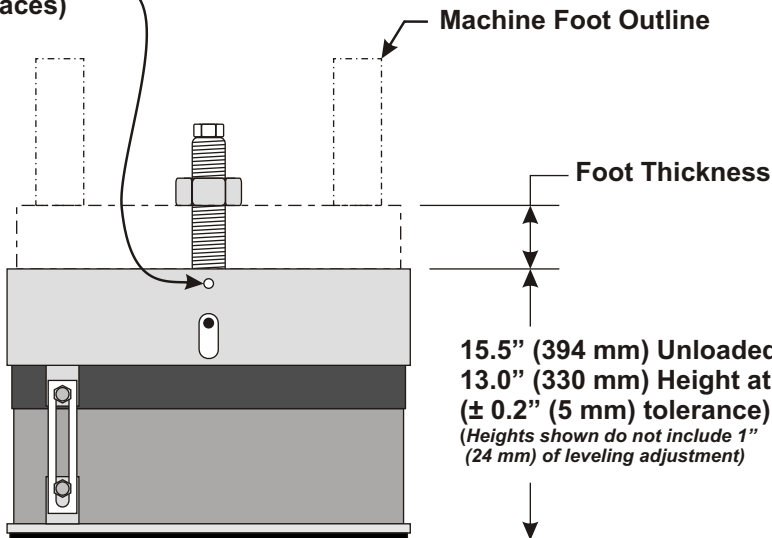
Isolator Model	Maximum Load		Isolator Weight	
	lbs.	kN	lbs.	Kg.
VSXL2409-5-90	52000	230	690	315
VSXL2409-5-81	49000	217	690	315
VSXL2409-5-80	46000	205	675	305
VSXL2409-5-71	43000	192	670	305
VSXL2409-5-70	40000	179	660	300
VSXL2409-5-61	37000	166	655	300
VSXL2409-5-60	35000	153	645	295
VSXL2409-5-51	32000	141	640	290
VSXL2409-5-50	29000	128	630	285
VSXL2409-5-41	26000	115	625	285
VSXL2409-5-40	23000	102	615	280
VSXL2409-5-22	17300	77	605	275
VSXL2409-5-04	11500	51	600	275

Note: Isolator data subject to change without notice.

## Leveling Screw Data

Model Number	Pitch	Thread Length	Foot Thickness Up To:
1.75M	1.75-12		
2M	2-12		
2.25M	2.25-12		
2.5M	2.5-12		

1/2-13UNC  
Lifting Holes  
(2 places)



SS-VSXL2409 2009.03