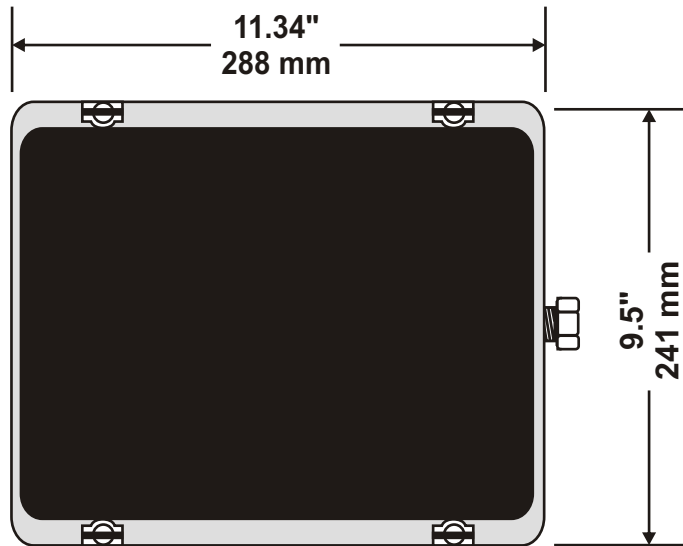


12WN MICRO/LEVEL® WEDGE ISOLATOR SPECIFICATION SHEET



DIMENSIONAL DATA						
Model Number	Loaded Height $\pm 0.125"$ (3.18 mm)				Targeted Installed Height $\pm 0.125"$ (3.18mm)	
	Minimum		Maximum		inch	mm
	inch	mm	inch	mm		
12WNM	3.7	94	4.60	117	4.15	106
12WNL	3.1	79	4.00	102	3.55	91
12WNLK	2.8	72	3.70	94	3.25	83

Note: Isolator data subject to change without notice.

Elevation Adjustment per turn of Adjustment Screw - 0.022" (0.56 mm)
 (Adjustment does not include any changes in elastomer deflection due to changing load)

