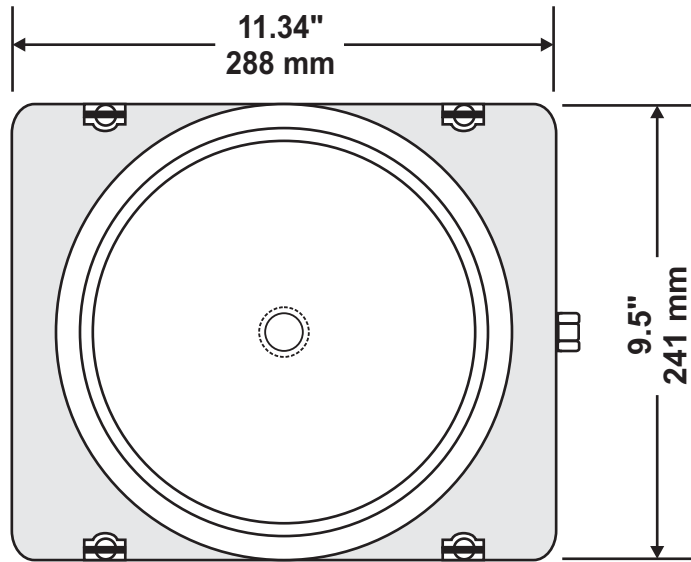


# 12W MICRO/LEVEL® WEDGE ISOLATOR SPECIFICATION SHEET

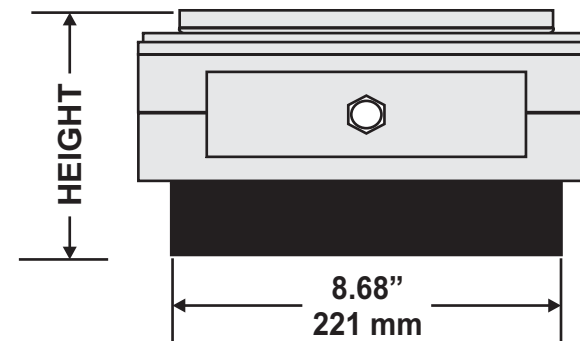
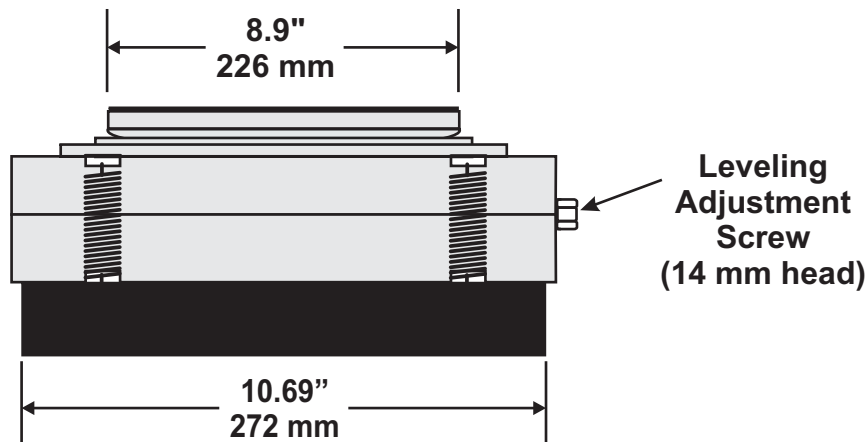
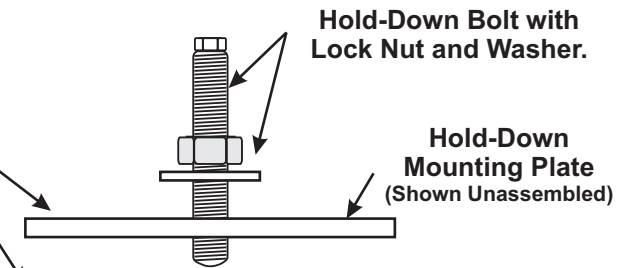


DIMENSIONAL DATA						
Model Number	Loaded Height $\pm 0.125"$ ( 3.18 mm )				Targeted Installed Height $\pm 0.125"$ ( 3.18mm )	
	Minimum		Maximum			
	inch	mm	inch	mm	inch	mm
<b>With Hold-Down Plate</b>						
12WM	5.3	135	6.20	157	5.75	146
12WL	4.7	119	5.60	142	5.15	131
12WK	4.3	109	5.20	132	4.75	121
<b>With Friction Pad</b>						
12WM	4.8	122	5.70	145	5.25	133
12WL	4.2	107	5.10	130	4.65	118
12WK	3.8	97	4.70	119	4.25	108

Note: Isolator data subject to change without notice.

Elevation Adjustment per turn of Adjustment Screw - 0.022" (0.56 mm)  
 (Adjustment does not include any changes in elastomer deflection due to changing load)

Isolator is furnished with either a friction top pad or an on-center 3/4" or 1" hold-down bolt. Off-center hold-down bolt configurations available as specials.



SS-12W 20120216