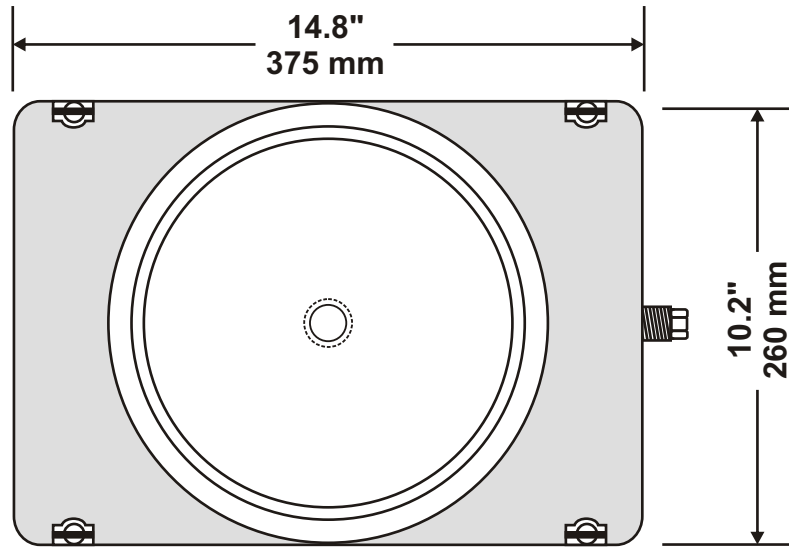


16W-4 LAYER MICRO/LEVEL® WEDGE ISOLATOR SPECIFICATION SHEET



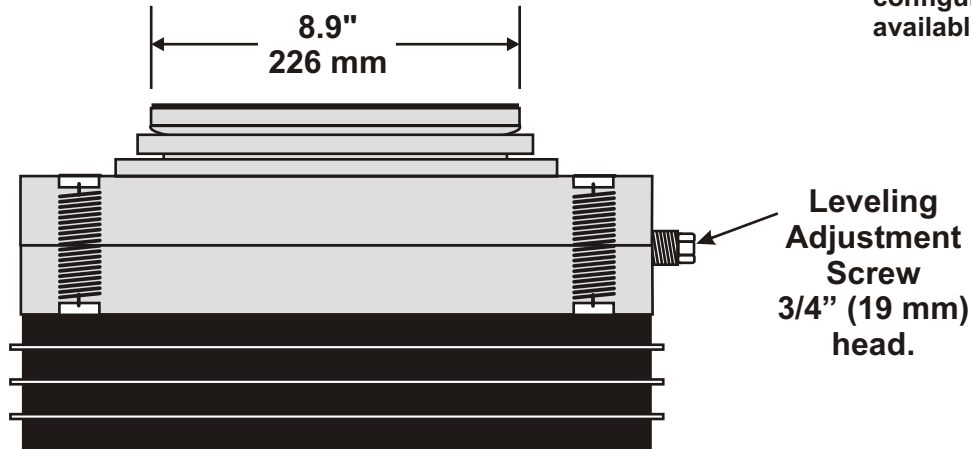
ISOLATOR MODEL	LOADED HEIGHT		Target Installation Height
	Minimum	Adjustable To:	
16WM404	12.7" (323 mm)	13.7" (348 mm)	13.2" (336 mm)
16WM474	12.7" (323 mm)	13.7" (348 mm)	13.2" (336 mm)
16WL624	11.1" (282 mm)	12.1" (307 mm)	11.6" (295 mm)
16WK724	10.3" (262 mm)	11.3" (287 mm)	10.8" (275 mm)
16WX804	9.1" (231 mm)	10.1" (256 mm)	9.6" (244 mm)

* All Dimensional Tolerances are $\pm 1/8"$ (± 3.2 mm)

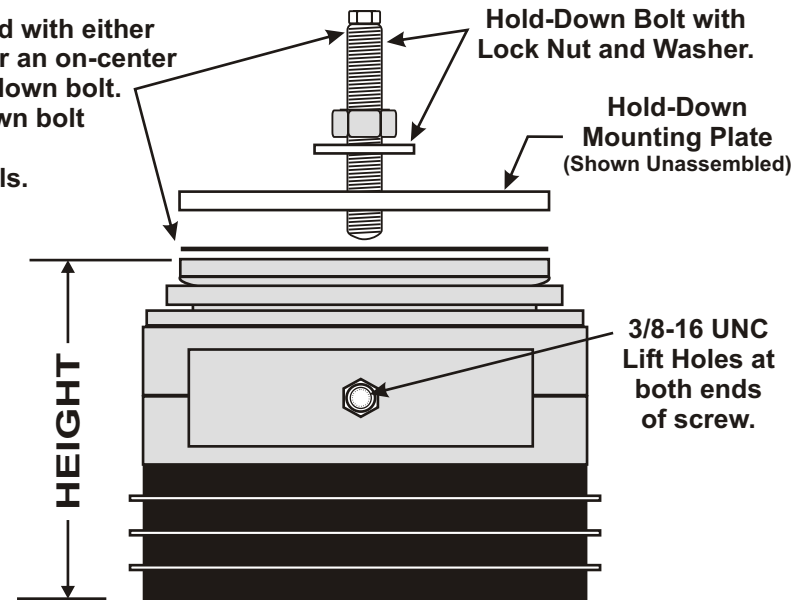
ISOLATOR MODEL	LOADED HEIGHT		Target Installation Height
	Minimum	Adjustable To:	
16WM404	13.1" (333 mm)	14.1" (358 mm)	13.6" (346 mm)
16WM474	13.1" (333 mm)	14.1" (358 mm)	13.6" (346 mm)
16WL624	11.5" (292 mm)	12.5" (317 mm)	12.0" (305 mm)
16WK724	10.7" (272 mm)	11.7" (297 mm)	11.2" (285 mm)
16WX804	9.5" (241 mm)	10.5" (266 mm)	10.0" (254 mm)

* All Dimensional Tolerances are $\pm 1/8"$ (± 3.2 mm)

Note: Isolator data subject to change without notice.
 Elevation Adjustment per turn of Adjustment Screw - 0.022" (0.56 mm)
 (Adjustment does not include any changes in elastomer deflection due to changing load)



Isolator is furnished with either a friction top pad or an on-center 3/4" or 1.25" hold-down bolt. Off-center hold-down bolt configurations are available as specials.



SS-16W-4 2003.12