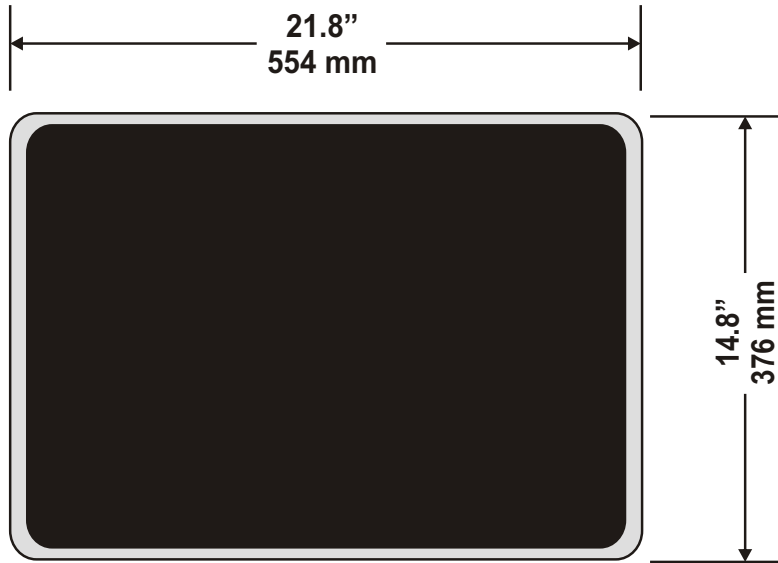


24WN MICRO/LEVEL® WEDGE ISOLATOR SPECIFICATION SHEET

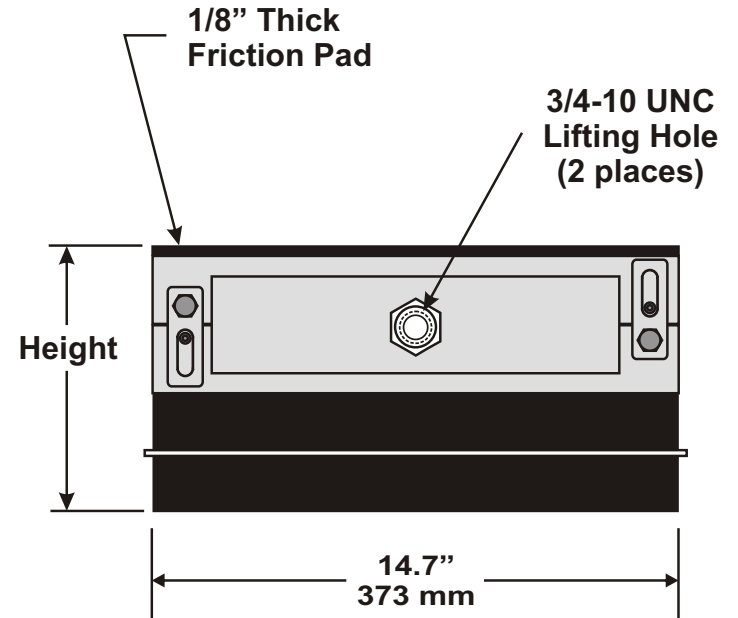
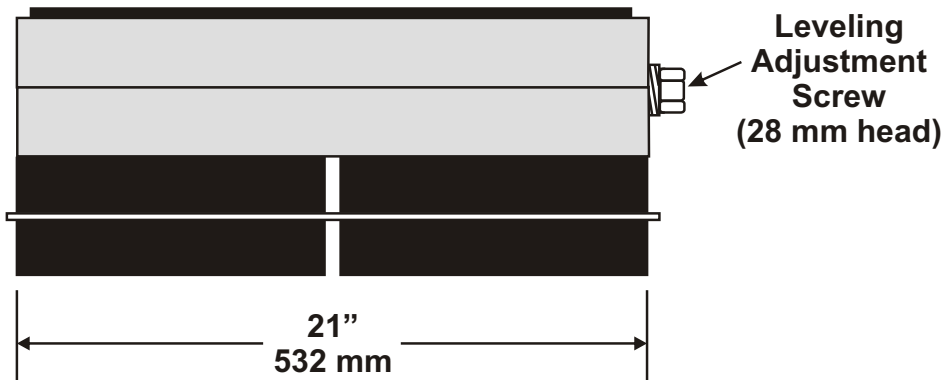


ISOLATOR MODEL	With Friction Pad				TARGET INSTALLATION HEIGHT	
	LOADED HEIGHT					
	Minimum		Adjustable To:		inch	mm
	inch	mm	inch	mm	inch	mm
24WNM0802	8.5	216	9.5	241	9.0	229
24WNM0952	8.6	218	9.6	244	9.1	231
24WNL1242	8.0	203	9.0	229	8.5	216
24WNL1442	7.5	191	8.5	216	8.0	203
24WNX1602	6.8	173	7.8	198	7.3	185

* All Dimensional Tolerances are $\pm 1/8"$ (± 3.2 mm)

Note: Isolator data subject to change without notice.

Elevation Adjustment per turn of Adjustment Screw - 0.017" (0.42 mm)
 (Adjustment does not include any changes in elastomer deflection due to changing load)



SS-24WN 2-layer 2008.02.11