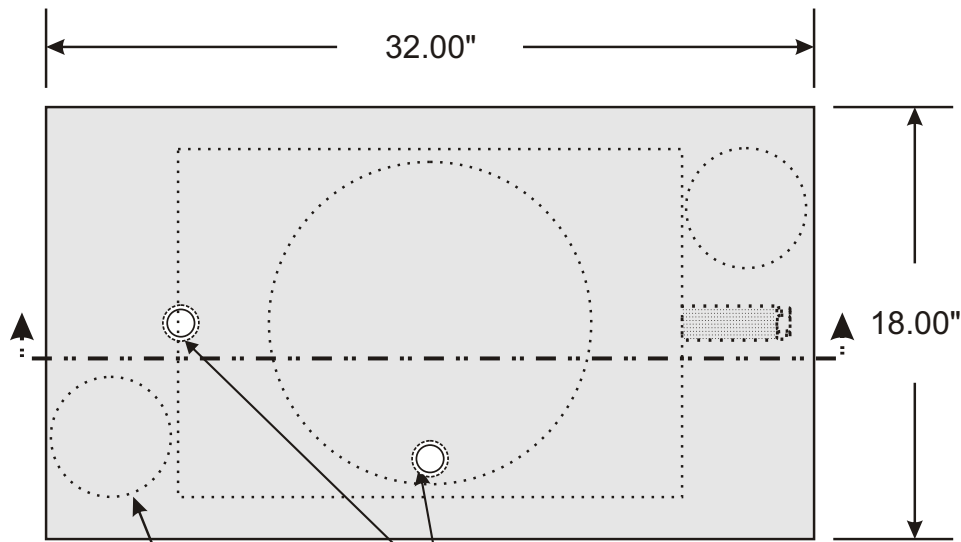


30/31WXL MICRO/LEVEL® WEDGE ISOLATOR SPECIFICATION SHEET



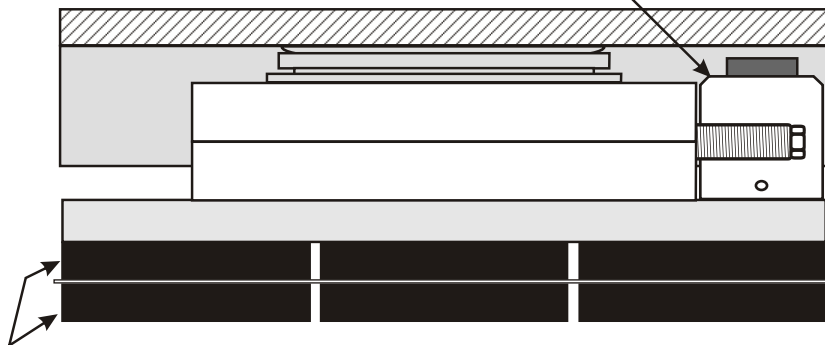
Hold-Down Bolt Locations vary with installation.

Two hydraulic cylinders can be installed on the isolator's bearing plate (one on each side) to make leveling adjustments easy.

ISOLATOR DATA							
Model	No. of Elastomeric Layers	Loaded Height ± 0.13 (3.3 mm)				Target Installation Height	
		Minimum		Maximum		inch	mm
		inch	mm	inch	mm		
30WXL1201	1	11.6	295	12.7	323	12.2	309
30WXL1202	2	13.4	340	14.5	368	14.0	354
30WXL1203	3	15.3	389	16.4	417	15.9	403
30WXL1204	4	17.1	434	18.2	462	17.7	448
30WXL1431	1	11.6	295	12.7	323	12.2	309
30WXL1432	2	13.5	343	14.6	371	14.1	357
30WXL1433	3	15.4	391	16.5	419	16.0	405
30WXL1434	4	17.2	437	18.3	465	17.8	451
30WXL1861	1	11.3	287	12.4	315	11.9	301
30WXL1862	2	12.9	328	14.0	356	13.5	342
30WXL1863	3	14.5	368	15.6	396	15.1	382
30WXL1864	4	16.0	406	17.1	434	16.6	420
31WXL2161	1	11.1	282	12.2	310	11.7	296
31WXL2162	2	12.4	315	13.5	343	13.0	329
31WXL2163	3	13.8	351	14.9	378	14.4	364
31WXL2164	4	15.1	384	16.2	411	15.7	398

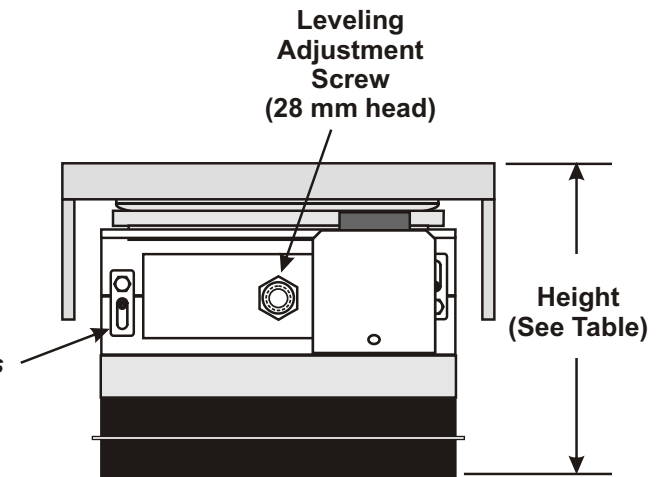
Note: Isolator data subject to change without notice.

Elevation Adjustment per turn of Adjustment Screw - 0.017" (0.42 mm)
 (Adjustment does not include any changes in elastomer deflection due to changing load)



Elastomeric Isolation Elements
 One to Four Layers (See Table)

Cylinder Space Height
 6.6" Min. To 7.8" Max.
 When engaging hydraulic cylinders, do not exceed maximum cylinder spacing. Damage can occur to isolator retaining system. Use **adjustment indicators** as a guide.
 100 ton, 10,000 psi
 6.63" OD, 5 1/2" collapsed & 7 3/4" extended height cylinders are recommended.



Leveling Adjustment Screw
 (28 mm head)

Height
 (See Table)

SS-30WXL 2004.11