

# Wedge Style Elastomeric Machine Mounts

Vibro/Dynamics Wedge Isolators are designed for the free-standing installation of stamping presses, machine tools, plastic injection molding and die cast machines.

The wedge design with its side adjust leveling screw makes them ideal for leveling and installing machines that cannot use vertical leveling screw type isolators because the mounting holes are too small or nonexistent.

Wedge Isolators are also available with our unique Glide/Ring™ damper designed to dissipate horizontal forces that cause some machines to walk. The Glide/Ring damper's built-in swivel automatically adjusts for an out-of-parallel condition between the foundation and bottom of the machine feet for improved machine support and isolator performance.



7WB Model



12W Model



24WH Model

## Types



Free-standing



Bolt-on



Bolt-thru



## Features & Benefits

- Quickly level & align machines with easy turning adjustment screw.
- Effectively isolate vibration with custom engineered elastomers.
- Uniformly support machinery with patented swivel feature.
- Prevent walking with unique Glide/Ring™ damper.

Wedge Isolators are available in free-standing, bolt-on, and bolt-thru styles with static load ranges from 4,600 - 144,000 lb. per isolator.

Multi-layer elastomer versions are available for added vibration and shock isolation.

Custom types, models and configurations to suit just about any need.

## Glide/Ring™ Damper

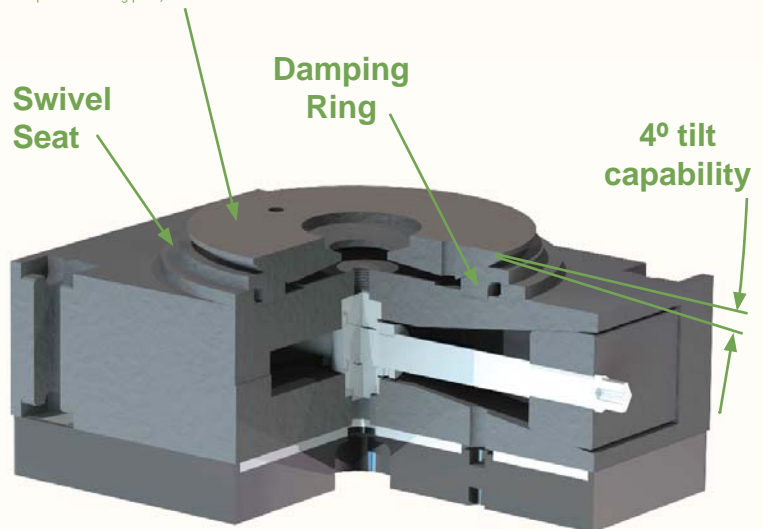
*The Glide/Ring Damper is a unique device, available on some models, that provides uniform support and keeps machines from walking. It consists of a Swivel Dish, Swivel Seat, Damping Ring and Retainer Ring.*

*The Glide/Ring Damper has two functions. First, the Swivel Dish has a four degree tilt capability that automatically adjusts when the foundation and the bottom of the machine feet are not parallel. In an extreme out-of-parallel condition, one side of the isolator will compress more than the other, resulting in an uneven load pattern on both the machine's foot and the isolator's elastomer. The Glide/Ring damper provides uniform support for improved machine and isolator performance.*

*Second, the swivel seat is designed to move slightly in the horizontal direction, dissipating horizontal forces that cause some high-speed machines to walk.*

### Swivel Dish

(shown w/o friction pad & mounting plate)



### Technical Assistance

To assure the best installation, our application engineers will carefully analyze your particular application needs and recommend the proper isolator for the best installation. Please give us a call, and we will be happy to assist you in your selection.

### VIBRO/DYNAMICS LLC

2443 Braga Drive,  
Broadview, IL USA 60155-3941  
www.vibro-dynamics.com  
email: vibro@vibro-dynamics.com

Telephone: 708-345-2050  
Toll-Free: 800-842-7668  
Fax: 708-345-2225

Vibro/Dynamics is a registered trademark, and Glide/Ring is a trademark of Vibro/Dynamics LLC.

©2017 Vibro/Dynamics LLC. All Rights Reserved.

Vibro/Dynamics Products are covered by one or more of the following U.S. Patents: 4,846,436; 4,930,741; 5,360,195; 5,577,703; 5,690,304; 5,738,330; and 6,116,565. Products are also protected by Foreign Patents. Other Patents Pending.